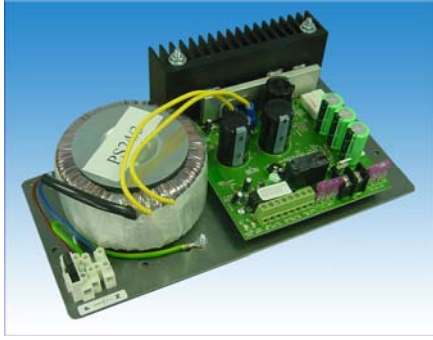


LINIER POWER SUPPLY



PS24/3

27.6 Volt DC 3 Amp

FEATURES:

- Mains Fail Relay Output and Indicator.
- Battery Fail Relay Output and Indicator.
- Very Low Noise.
- Battery Charging.
- Output over voltage protection.
- Metal Gear Plate



DESCRIPTION:

The family of power supplies are low Noise and linier. They incorporate twin output regulators, separate battery charge controller, crowbar protection, on board main & battery monitoring and a high efficiency regulation cooling system to ensure trouble free operation.

SPECIFICATIONS:

Inputs

Voltage-	230 VAC, +/- 10%
Frequency-	50 Hz
Current-	680 mA
Protection-	5x20mm, 1.6A Fuse.

Outputs

Total Power-	110 Watts
Voltage-	27.6 VDC
Main O/P Current-	3 Amp
Battery-	1 Amp
Hold up time-	20 ms
Ripple-	11 mV P/P
Line Regulation-	<0.3%
Load Regulation-	<1.6%
Protection:	
Current-	3 A Blade fuse on Main and battery outputs.
Voltage-	Crowbar @ 28.5 Volts
Reverse Battery	protection Diode.

Efficiency 65%

Isolation

In/Out-	5 KV AC 1 sec
In/Gnd-	5 KV DC

Accessories Supplied

- Battery Leads + Battery link lead
- Cabinet Screws

Temperature

Operating-	0°C to 50°C
Rise Heatsink-	°C
Rise Transformer-	°C

Mechanical

Mounting-	4 x 5mm holes
Weight-	3Kg
Dimensions-	270 x 155 x 78mm
Battery Capacity-	2 x 7A/h batteys

Connections

Input-	2.5mm ² Screw term. block
Output-	3.3mm Screw terminal for spade lug.
Battery-	2.5mm Rising Clamp.
Mains fail-	2.5mm Rising Clamp.
Batt fail-	2.5mm Rising Clamp.

Indicators

AC Fail-	Green LED
Low Battery-	Green LED

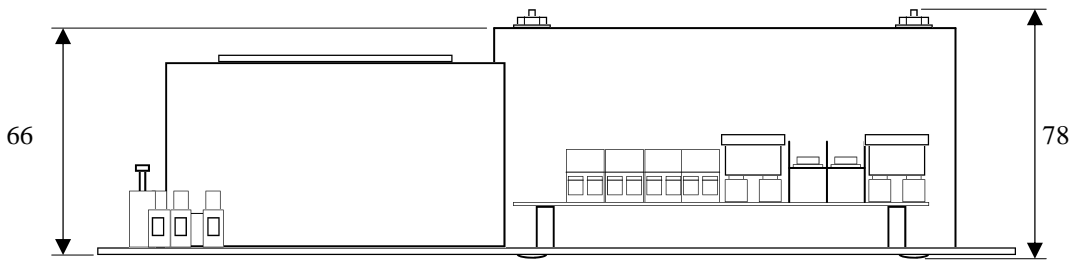
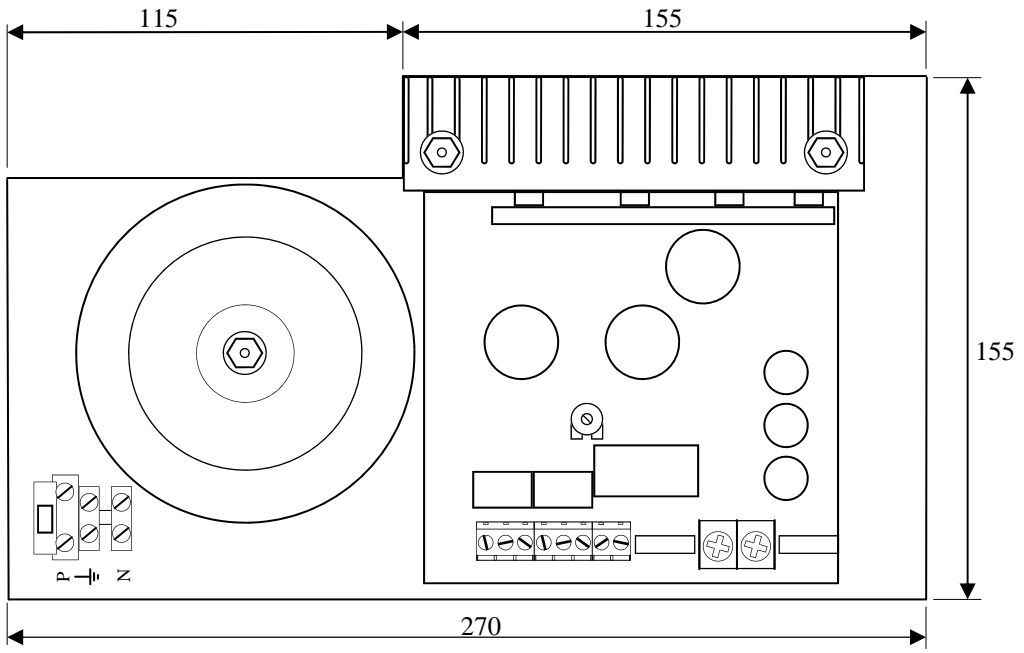
Relay Outputs

AC Fail-	Clean 1A relay contacts Com, N/O, N/C
Low Battery-	Clean 1A relay contacts Com, N/O, N/C

Upgrades Available

- PS MESH KIT

PS24/3



Connections

PS24/3 Series

