

# **BENINCA<sup>®</sup>**

TECHNOLOGY TO OPEN

**AUTOMATISMI BENINCÀ SpA**  
via del Capitello, 45 - 36066 Sandrigo (VI) ITALY  
T +39 0444 751030 | F +39 0444 759728  
sales@beninca.it | [www.beninca.com](http://www.beninca.com)



## **BULL1524**

---

Gear motor for sliding gates up to 1500 kg



# BULL1524

**BENINCA**<sup>®</sup>  
TECHNOLOGY TO OPEN

24 Vdc gear motor for sliding gates **up to 1500 kg**. Ideal for condominium applications. Complete with built-in control unit and receiver

## USE INTENSITY AND RESISTANCE

High use intensity is ensured by the built-in switching power supply (100/250 Vac) which allows for a lower consumption and a longer useful life of the operator itself.

## SAFETY ENSURED IN EVERY PHASE

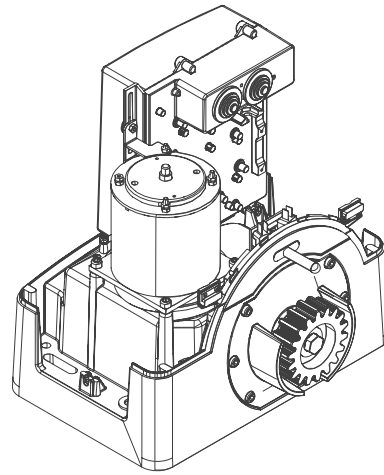
Maximum safety is guaranteed by the STC system unit which enables precise calculation of torque in each stage of gate movement. A virtual encoder optimizes the power output and prevents false relay tripping.

## MATERIAL QUALITY

All metal release system with personalized key.

## Technical Data

Motor power supply	100÷250 Vac
Consumption	1,7 A
Thrust	24 Nm
Operating jogging	Intensive use
Protection level	IP44
Operating temperature	-20°C / +50°C
Lubrication	GREASE
Gate max. weight	1500 kg
Rack module	M4/M6 accessory - RI.P6
Opening speed	13,7 m/min
Noise level	<70 dB
Control panel	CP.1524
Weight	15.7 kg



## PERFECT SYNCHRONISM

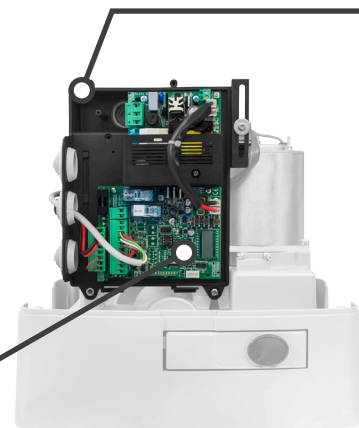
Fitted with the SIS accessory, the unit also features a rapid serial connection to enable operation of twin-leaf sliding gates.

## POSSIBLE BATTERY POWERED OPERATION

A built-in battery charger ensures that the unit will continue to operate in the event of a power supply failure

## EASY INSTALLATION

Quick and easy to install thanks to the self-programming of the control unit from the transmitter. The function can be activated at the first installation.



## HIGHEST PROTECTION

Integrated control unit with an LCD display and an integrated wireless receiver with memory space for up to 2048 transmitters operating exclusively with **Advanced Rolling Code (ARC)** coding.

