

## GLT43300/1/2/3/4/8

433MHz HAND HELD GIGALINK™ TRANSMITTERS

### Features

- One, two, three, four & eight channels.
- More than four billion code combinations and no dipswitch visible, enabling it to be used for high security applications.
- 433 MHz transmissions. No interference from electrical noise and other signals.
- Microcontroller technology, replaces the traditional dipswitch coding which eliminates any possible code grabbing.
- Built-in battery monitor. Red LED indicates to the user when the battery is flat.
- Ability to program un-limited number of transmitters to a receiver, making expandability unlimited.
- Uses Gigalink technology, this involves using a receiver cable to program the transmitter. Some transmitters and receivers are programmed through the air. This is very risky since another person can grab your code.



### Applications

- Security, wireless activation/deactivation of domestic or industrial alarms
- Gate operation
- Panic buttons
- Remote Activation of lights
- Simultaneous operation of multiple on/off functions

### Description

The hand held 433MHz GIGALINK™ transmitters are an advanced Remote Control technology available in the world today. GIGALINK™ is an invention that has revolutionised the entire Remote Control technology including Elsema's earlier version of FMT- ... and FMR- ... series. The GLT43301/2/3/4/8 state-of-the-art invention brings a new dimension in the world of Remote Control technology in domestic, commercial and industrial applications.

### Operating Distance

An operating distance (in conjunction with our GLR433.. series receivers) of 350 metres is possible.

The operating distance depends upon the receiver antenna and location. An independent test revealed the following ranges:









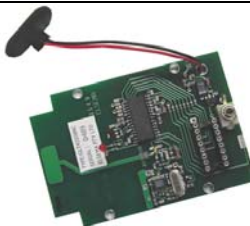





Range (Metres)	Receiver Antenna	Receiver Type
50	345 mm Long Wire	GLR433....
200	690 mm Long Wire	GLR433....
350	ANT433S	GLR433....

Range tests were done in an open area test site with line-of-sight operation and the receiver antenna wire was fixed vertically, away from any metal objects.

## Case

The hand held GIGALINK™ transmitters are supplied with a case. There is also sufficient space on the rear of the case to place additional stickers such as your telephone contact, local authorities approval numbers etc.

## Products in the Range

				
<b>GLT43300</b> Transmitter	<b>GLT43301</b> 1-Channel	<b>GLT43302</b> 2-Channel	<b>GLT43303</b> 3-Channel	<b>GLT43304</b> 4-Channel
				<i>NL: No label The Elsema Label is absent.</i>
<b>GLT43308</b> 8-Channel	<b>GLT43316</b> 2-Stroke, 16-Channel	<b>GLT43300NC</b> Transmitter, No Case Option Pin header	<b>GLT43308NC</b> 8-Channel, No Case	
				
<b>GLT4330112E</b> 1-Channel, 25mW	<b>GLT4330212E</b> 2-Channel, 25mW	<b>GLT4330412E</b> 4-Channel, 25mW	<b>GLT4330812E</b> 8-Channel, 25mW	<b>GLT43308NC</b> 8-Channel, 25mW No Case

## Technical Data

Model	GLT43301, GLT43302, GLT43303, GLT43304	GLT43308
Power Supply	9V Battery (Applied to the battery Clip)	9V Battery (Applied to the battery Clip) or 10-16VDC (Only applied to + & - terminals)
Current Consumption	Max 45mA at 8VDC (Only when transmitting)	Max 70mA at 12VDC (Only when transmitting)
Standby Current	10uA (Typical)	
Transmission Modes	Continuous - Transmits as long as the channel is activated. Minimum transmission time is 640ms Burst (B version) - Transmits one 640ms burst for each channel activation, even if channel is activated for less than 640ms	
Battery Monitor	LED flashes at 1Hz, during transmission, when battery voltage is at 6.5V (flat 9V battery)	
Normal Operation	The LED flickers at 12.5Hz during normal operation	
Operating Freq	433.920MHz (Other frequencies available on request. Refer to the table below )	
Carrier Freq Tolerance	Crystal controlled 30 parts per million	
Operating Temperature Range	-5 to 50°C	
Radiated RF Power Output	100uW	
Antenna	Built-in loop Antenna	
Type of Emission	AM 100% depth	
Freq Deviation Limiting	1600 - 1900Hz non-return to zero	
Modulation Freq	120Hz to 1.8kHz (15% tolerance)	
Spurious Transmission	At least -60dB / carrier	
Necessary Bandwidth	±2.5kHz	
Digital Coding System	Microcontroller based 96-bit word	
Code Combination	Approximately 4.3 billion	
Digital Channels	1, 2, 3 or 4 channels. The type of membrane label determines the number of channels. Customers can fit custom-made membrane labels	8 channels. On board 16-pin IC socket. Channels are addressed by joining opposite side of the IC socket pins. Elsema has a 16-pin 35cmm ribbon cable plug available
Dimension	81 x 56 x 24mm	130 x 67 x 27mm (GLT43308) 70 x 50 x 14mm (GLT43308NC)
Weight	51g excluding battery	60g (GLT43308) 35g (GLT43308NC)
Useable Receivers	GLR433... series	
Useable Operating Range	Up to 350m; depending on receiver antenna and location	

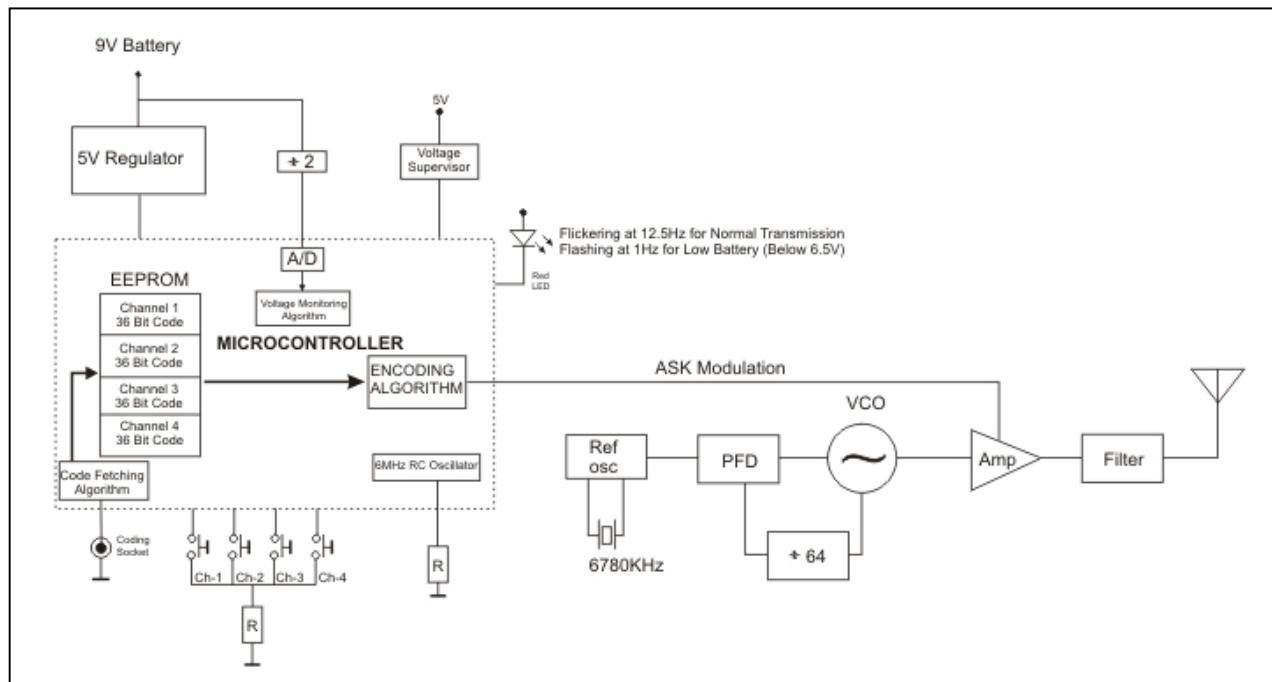
## Available Frequencies

SF2	433.664 MHz
SF3	433.408 MHz
SF4	433.152 MHz
SF5	434.688MHz
SF6	434.432 MHz
SF7	434.176MHz
SF8	433.792 MHz
SF9	434.304 MHz

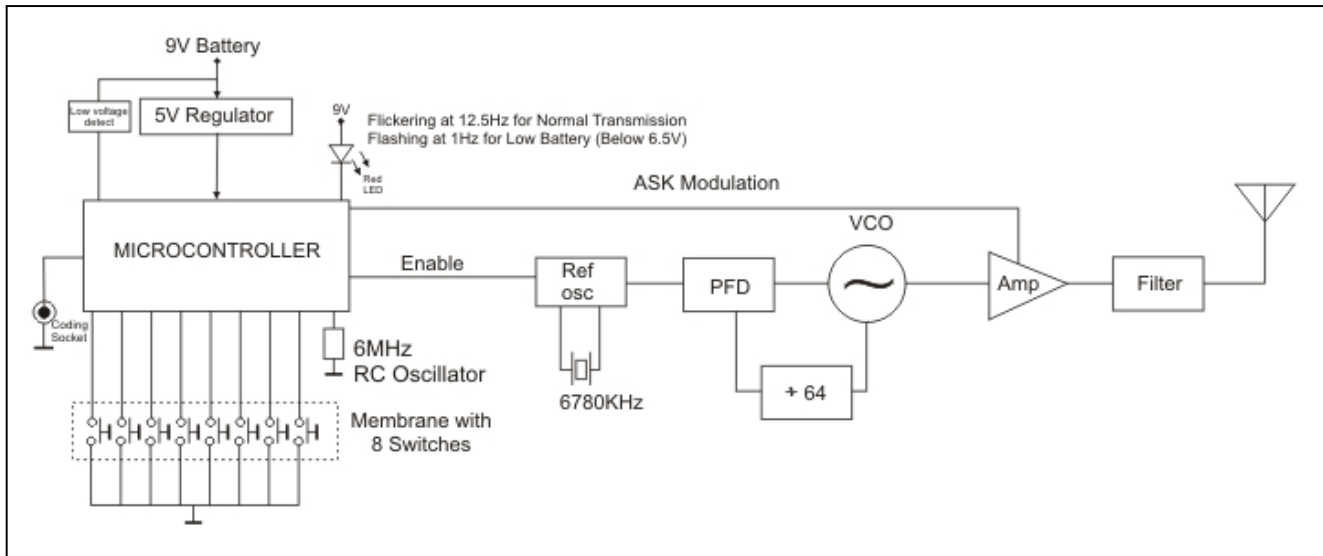
**Please quote Correct SF number when ordering transmitters on special frequencies.**

## Block Diagram

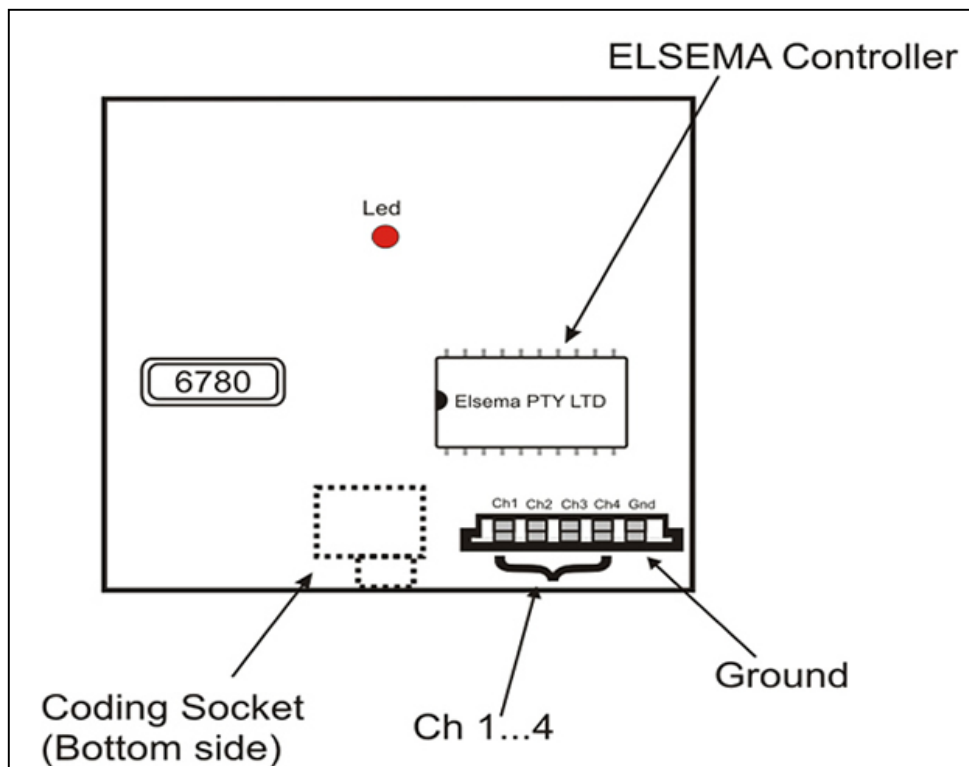
GLT43301, GLT43302, GLT43303, GLT43304



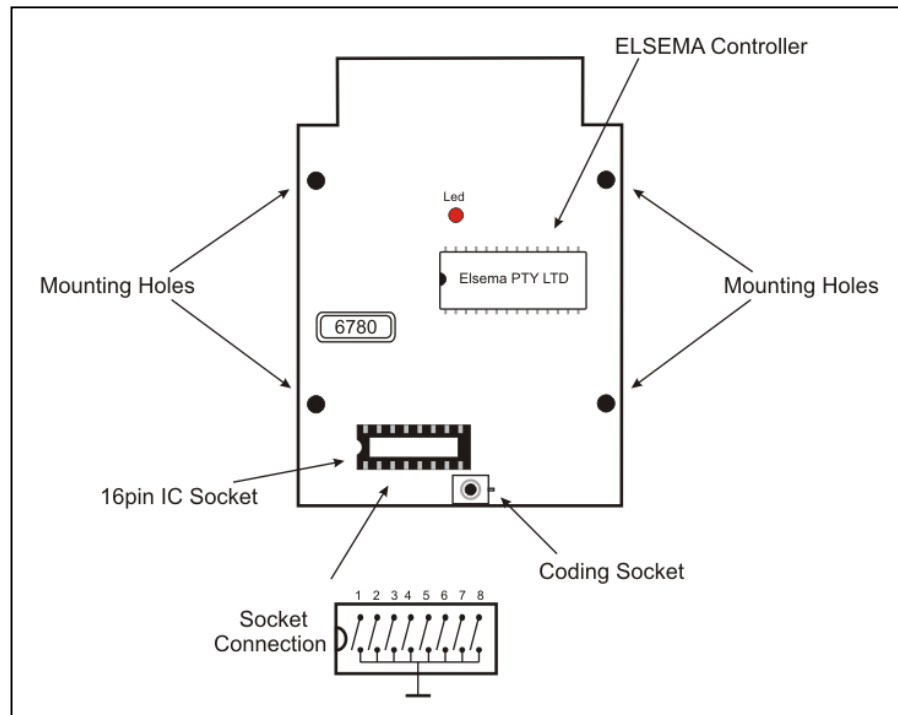
## GLT43308(NC)



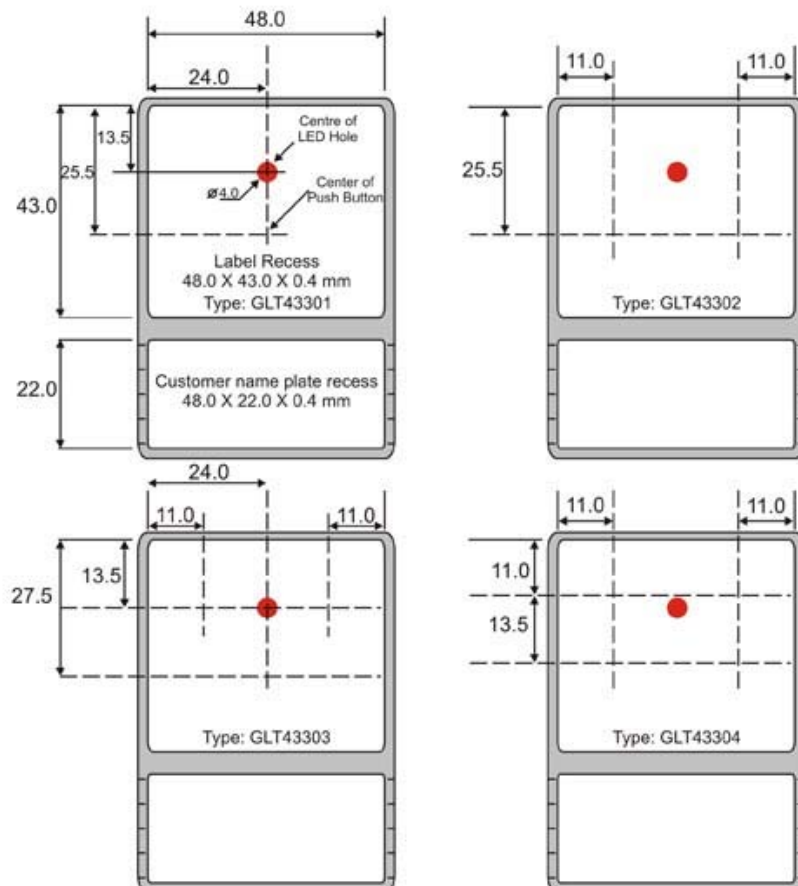
## Connection Diagram GLT43300NC

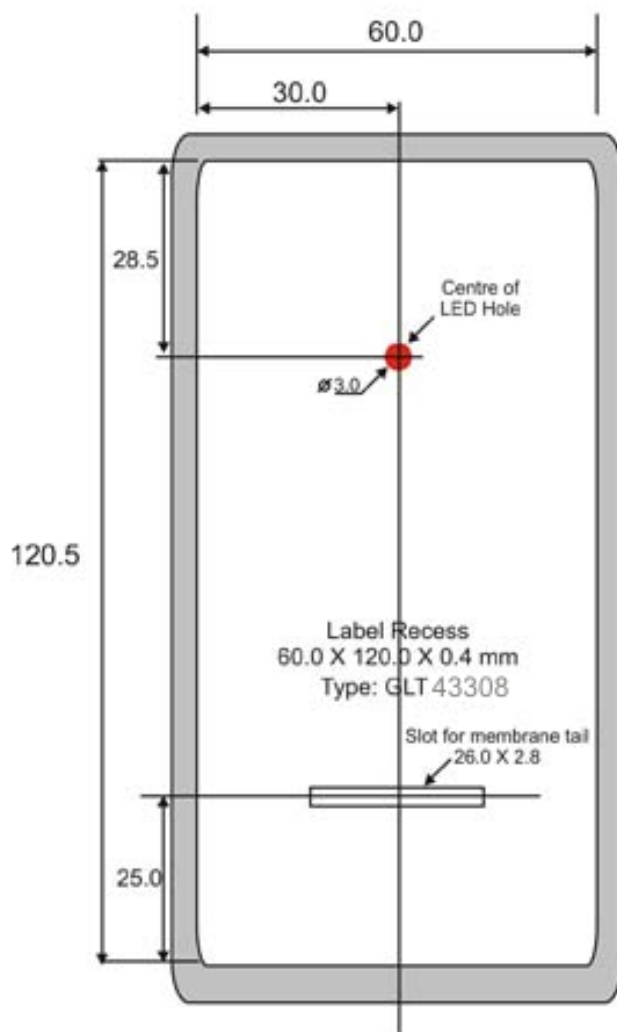


## Connection Diagram GLT43308NC



## Label Dimensions





Elsema will provide (free of charge) blank membranes for customers who want to design their own labels.

Recommended label material is polyester autotex F200 and buttons to have tactile action with 10.7mm round pillow emboss.

Label Supplier :  
Permark Industries Aust (1999) Pty Ltd  
Telephone: (61) 2 9911 6656  
Fax : (61) 2 9819 6517  
Email : [amrat@permark.com.au](mailto:amrat@permark.com.au)

**Elsema Pty Ltd**  
3/10 Hume Rd, Smithfield  
NSW 2164  
Ph: 02 9609 4668  
Fax: 02 9725 2663  
Website: [www.elsema.com](http://www.elsema.com)

Distributed by: