

Slimline Hardwired Keypad for EC-i, ESL, Runner & ESX-V2

Specifications

Voltage	12VDC
Current Draw	70mA max
Mounting Height	(Recommended) 1.2m to 1.5m
Push Terminals	0.2mm ² - 0.5mm ² security cable
IP Rating	IPX0 (indoor use only)
Tamper	Calibration & alarm (optional)
Backlighting	3 programmable options
Mounting	Vertical flush box or direct fix
Dimensions	H118 x W74 x D12mm
Warranty	5 years

Compatible Control Panels

EC-i, ESL-2, ESL, Elite S, Elite S Lite, ESX V2 & Runner

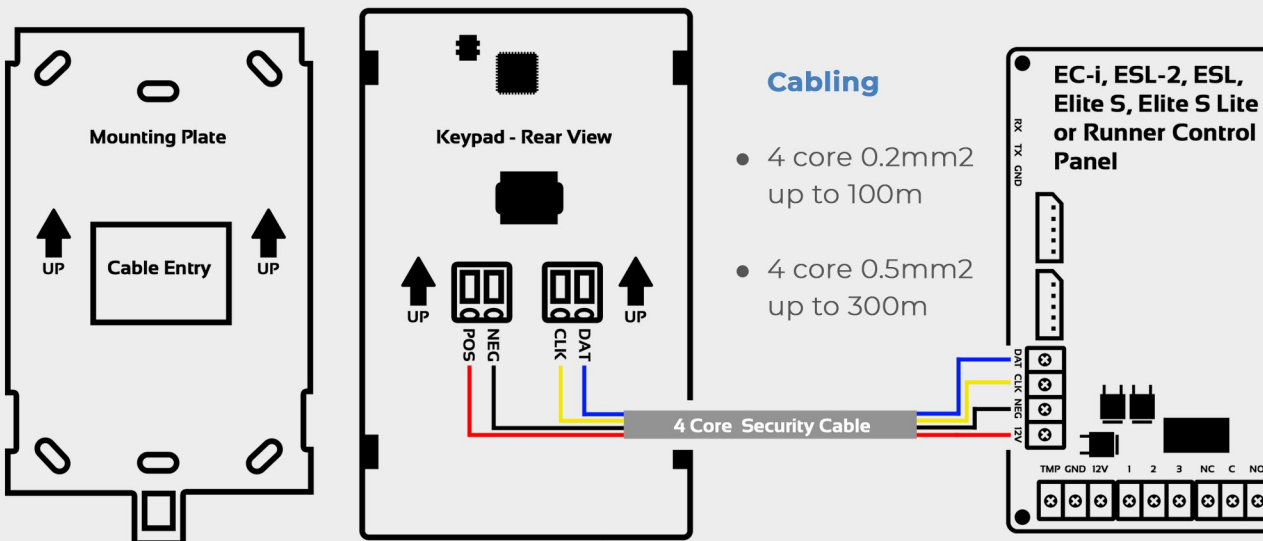
Programming & Display

Ensure the keypad is mounted to its backplate (on the wall) before use. This is imperative to ensure the capacitive touch calibrates correctly.

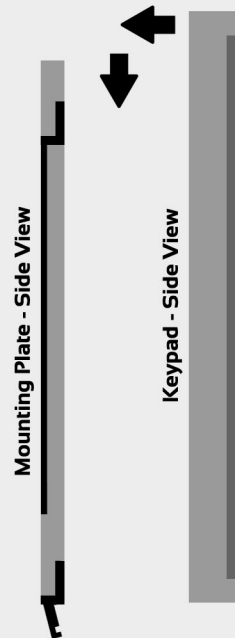
The EC-KP best programs & displays up to 8 x Inputs, 8 x Outputs, 8 x Areas, 8 x Keypads, 8 x Schedules & 8 x Holidays. Some programming values over '8' are available, however these are not recommended on the EC-KP due to the nature of the display.

Systems greater than 8 inputs, 8 outputs etc are best programmed via the EC-TOUCH, EC-LCD, web browser or EliteCloud dashboard (coming soon). It is recommended to use the EC-KP along with the EliteCloud smartphone app for the best user experience.

Hardware & Cabling Overview



Fitment



- Fit mounting plate level on the wall.
- Make sure the entire system is powered down.
- Terminate POS, NEG, CLK & DAT as detailed in the 'Hardware & Cabling Overview' below
- Place keypad over mounting plate as shown then slide down until a click is heard from the securing clip.

Button & Icon Overview

AC/Battery Icon



Invisible = No power fault.
Solid Red = AC &/or battery failure is present.

Away Arm Button

Arm

Solid White = Away disarmed for all areas.
Solid Red = One or more areas are armed.

Stay Arm Button

Stay

Solid White = Stay disarmed for all areas.
Solid Red = One or more areas are stay armed.

Cancel Button

Cancel

Press to perform the following functions:
Clear an incorrect code.
Cancel arming during exit delay.
Return back to the home screen.



Running Person Icon



Invisible = No open/active inputs.
Solid White = An input from 1-248 is open/active
Flashing White = Currently displaying open/active inputs (from 1 -8 only).

Info Button



Solid White = Everything OK.
Solid Red = There is a current system fault.

Code Entry Indicators



Displays how many digits are currently input on the keypad. Press Cancel button to clear.

Enter/Confirm Button



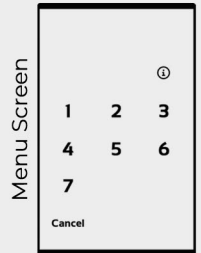
Must be pressed after code entry for code to be accepted or action to be performed.

Menu (Programming & Diagnostics)

- Press the Info icon (i) found on the home screen to access the menu.
- Each number represents the following functions from within the menu:

- 1. Installer Programming** - Requires installer code to access this function.
- 2. Alarms/Activations** - Shows activated inputs from the previous arm cycle (only displays inputs 1 - 8).
- 3. Current System Faults** - Each fault within option 3 is indicated by a number as detailed below:

<ol style="list-style-type: none"> 1. System Tamper Alarm 2. Input Tamper Alarm (wired or wireless) 3. Supervision Alarm 4. Fuse Failure 	<ol style="list-style-type: none"> 5. Communicator Failure 6. Wireless Device Battery Low 7. Remote Battery Low 8. Excessive Wrong Code Attempts
--	--
- 4. Sleep Options** - Select the preferred option from 1 - 3 below then press ✓ to confirm.
 1. Illumination will time out after 30 seconds & will only wake when touched.
 2. Illumination will time out after 30 seconds & will wake with any sensor movement.
 3. Illumination is on continuously.
- 5. Brightness** - 1 = Least bright & 6 = Most bright. Once selected, press ✓ to confirm.
- 6. Beep/Buzzer** - 1 = Lowest frequency & 9 = Highest frequency. 0 = Beep/Buzzer OFF
Select the preferred option followed by ✓ to confirm.
- 7. Open/Active Inputs** - Displays any input (from 1 - 8 only) that is open/active. Open/Active inputs above 8 can not be viewed on the EC-KP due to the nature of the display.



The best UX is achieved by pairing the EC-KP with the EliteCloud smartphone app.

Installer Programming

→] Enter Installer Programming from the home screen

- Press the 'Info Button' ⓘ & options 1 - 7 will appear.
- Press option 1 to access installer programming & ⓘ will slow flash white.
- Enter the correct installer code (default 000000) followed by ✓ to confirm.
- ⓘ will fast flash white to indicate you are in installer programming.

←] Exit Installer Programming

- Press the 'Cancel' button several times until you return to the 'Home Screen'.

Keypad Address

Setting or Retrieving the Keypad Address

- Enter installer programming as detailed above:
Make sure ⓘ is fast flashing white to indicate that you are in programming mode before proceeding.
- Press 902 followed by the ✓ icon & the current keypad address will flash back on the numeric display.
- Next enter the new keypad address followed by the ✓ icon to confirm. The new address will flash back.

Note: All keypads on one system must be set to their own independent address to help avoid bus conflict.

- Press the 'Cancel' button 2 times to exit back to the 'Home Screen'.

Address Type Programming

Address programming is available via the EC-KP, however some addresses are restricted on this keypad.

Below is a summary of the most common programming addresses for ESL & EC-i.
Make sure you are in installer programming as detailed above before proceeding.

👤 User Codes

Cancel 1 ✓ 1 ✓ New Code (1 to 6 digits) ✓ - This example is to set/change 'User 1'.

Cancel 1 ✓ 2 ✓ New Code (1 to 6 digits) ✓ - This example is to set/change 'User 2'.

⌚] Input Entry Delays

Cancel 144 ✓ 1 ✓ Delay Time (0 to 9999 Seconds) ✓ - This example is to set/change 'Input 1'.


Cancel 144 ✓ 2 ✓ Delay Time (0 to 9999 Seconds) ✓ - This example is to set/change 'Input 2'.

⌚] Exit Delay


Cancel 60 ✓ 1 ✓ Delay Time (0 to 255 Seconds) ✓ - This example is to set/change 'Area 1'.

See our ESL, EC-i or ESX V2 control panel manuals for a complete list of programming options.

Important

IPXP0 (indoor use only) 

Keep away from high voltage & inductance. 

Avoid installing in direct sunlight. 

Avoid installing in high humidity. 