



# BULL624ESA



### CONTROL PANELS:

**BULL624ESA** → **CP.B24ESA** p.137

**BULL624ESA.S** → **CP.B24ESA** p.137

## AUTOMATIONS FOR SLIDING GATES RESIDENTIAL USE

control with built-in encoder and receiver  
personalised release key  
**up to 600 kg**



### BULL.P3

Raised foundation plate included.  
Floor fixing distance 260 x 117, no. 4 Ø 11,  
motor fixing distance 300 x 75 no. 4

## 24 Vdc intensive use

- 24 Vdc geared motor for intensive use, with built-in control unit, ESA SYSTEM and encoder
- The encoder device ensures maximum safety and precision in the gate moving phases
- Amperometric sensor obstacle detection system to prevent crushing
- Battery back up system ready
- Full metal release system
- Version with magnetic limit switches available (BULL624ESA.S)

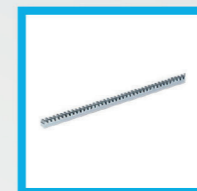


### RI.M4F

9272010

M4 rack 30x12x1000mm slotted and galvanized. Supplied with M6 metric screws and threaded spacers.

**Packaging: 4 pcs**



### RI.M4Z

9272030

M4 galvanized rack (22x22x2000 mm).

**Packaging: 2 pcs**



### RI.M4P

9272020

M4 Nylon rack with steel core, 28x40x1000 mm. Slotted, supplied with self-drilling screws.

**Packaging: 10 pcs**



### SB.BULL8.F

9747025

Externally fitted anti-intrusion cable unlock device (L=4.5m).



### ID.TA

9846019

Warning board.



### KSUN

9611004

KIT for system operation via solar panel. For 24 Vdc models.

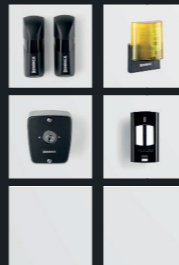
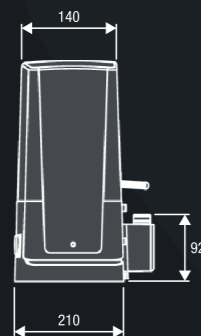
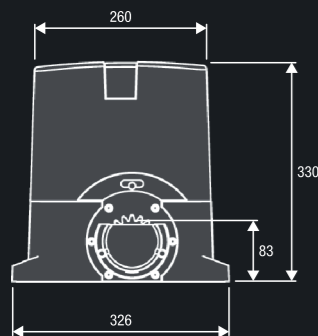


**MADE IN ITALY**

### COMPLETE KITS

#### KBULL624 9592092

- 1 **BULL624ESA** 24 Vdc Operator with control panel and built-in receiver. ESA SYSTEM technology included
- 1 **PUPILLA.F** Pair of photocells
- 1 **LAMPI24.LED** 24 Vdc Led flashing light with built-in aerial
- 1 **TOKEY** Metal key selector
- 1 **TO.GO2WV** 433.92 MHz Transmitter



### TECHNICAL DATA

	BULL624ESA	BULL624ESA.S
Code	9591465	9591480
Power supply	230 Vac (50-60Hz)	230 Vac (50-60Hz)
Motor supply	24 Vdc	24 Vdc
Max absorbed current	0.5 A	0.5 A
Power consumption in stand-by	8 mA	8 mA
Max Thrust	857 N	857 N
Opening speed	5.8-9.75 m/min	5.8-9.75 m/min
Operation cycle	intensive use	intensive use
Protection level	IP44	IP44
Magnetic limit switches	<b>NO</b>	<b>YES</b>
Operating temperature	-20°C / +50°C	-20°C / +50°C
Max gate weight	600 kg	600 kg
Driving gear for rack	M4 Z14	M4 Z14
Weight	11.6 kg	11.6 kg
<b>Items no. per pallet</b>	<b>36</b>	<b>36</b>
<b>Kits no. per pallet</b>	<b>30</b>	-