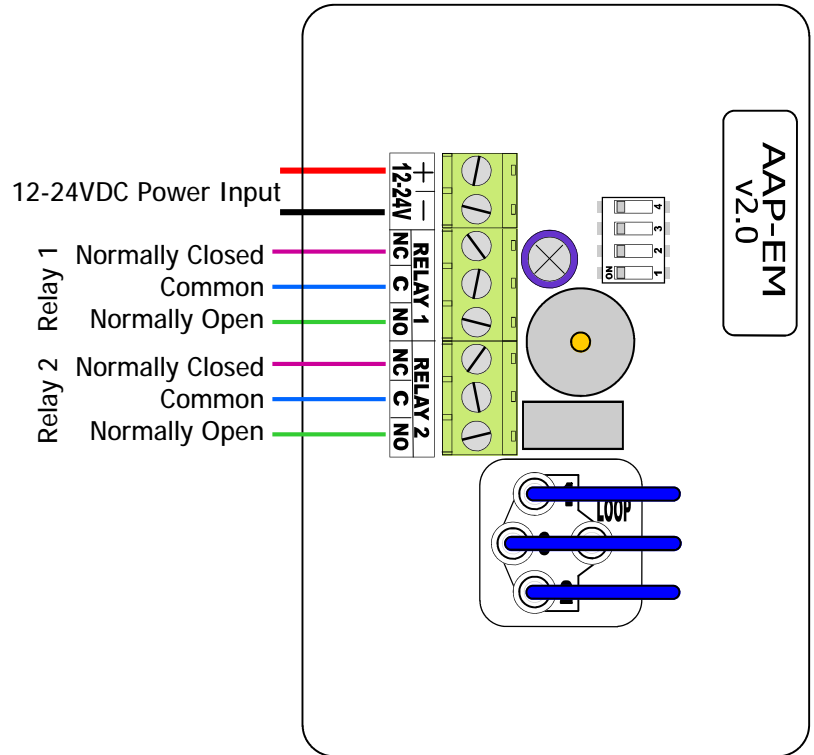


AAP-EM

Smart Emergency Door Release



Insert Tool Here
To Reset



Dipswitch Positions		
	1 OFF	Alarm Activation Colour = Green When activated the unit will flash green
	1 ON	Alarm Activation Colour = Red When activated the unit will flash red
	2 OFF	Status Light Disabled No status light
	2 ON	Status Light Enabled Every 5 seconds lights flash green
	3 OFF	Backlight is Disabled No white standby light
	3 ON	Backlight is Enabled White light on when in standby
	4 OFF	Buzzer is Disabled No sound
	4 ON	Buzzer is Enabled Buzzer will sound when activated

Specifications:

Voltage Input
10-30VDC

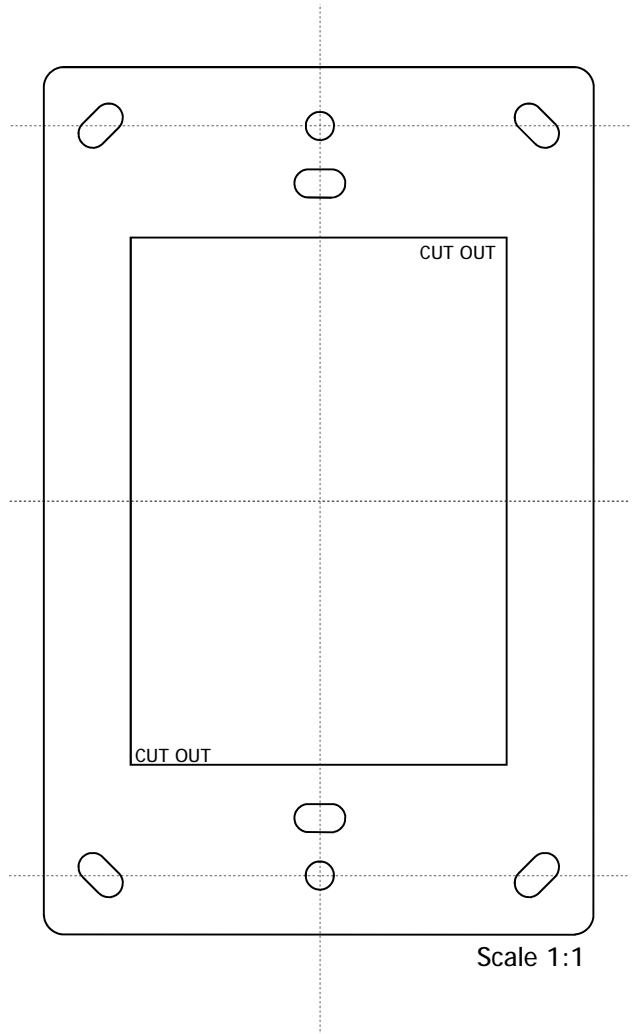
Current Max.
50mA Standby
15mA Activation

Relay Contacts

Relay 1: 2A, 30VDC
Relay B: 2A, 30VDC

ARROWHEAD ALARM PRODUCTS Ltd.
344b Rosedale Rd,
Albany,
Auckland.
Ph. 09 414 0085
www.aap.co.nz
v2.0





Wiring Example

