

# 2MP Smart Tracking PTZ

TVT-PTZ55110

4.8 - 120mm Lens 25x Optical Zoom

EliteControl   
www.aap.co.nz



- Powerful 25x Optical Zoom
- Includes Smart IR with Auto Tracking
- Tracks both People & Vehicles
- Outdoor Ready IP66
- 150m IR Range
- 360° Endless Pan Range
- 1/2.8" Progressive Scan CMOS

## Specifications

Camera Module	
Image sensor	1/2.8" progressive scan CMOS
Mini. Illumination	Color : 0.005Lux @(F1.65 , AGC ON) ; B/W : 0.001Lux @(F1.65 , AGC ON);0 Lux with IR
Image setting	Flip, Mirror, Saturation, Brightness, Contrast, Sharpness, AGC, and AWB adjusted by client software/browser
Shutter Speed	1/1 s – 1/100,000 s
White Balance	Auto/Manual/Indoor/Outdoor
Gain	Auto/Manual
Day & Night	IR Cut filter
Privacy Mask	Not supported by ver5.01 and supported by ver5.10
3D DNR	Auto/Manual
Image Enhancement	HLC, BLC, DWDR
Picture overlay	Logo picture could be overlaid on video with 128x128pixels,24bits jpg format
Lens	
Focus length	f=4.8-120mm lens,25x optical
Zoom Speed	Approx. 3.6s (optical zoom, wide-tele)
Field of View	Horizontal:57.6° to 2.5°(wide-tele) ; Vertical: 34.4° to 1.4°(wide-tele) ; Diagonal: 64.5° to 2.9°(wide-tele)
Working distance	wide: 1.0m - INF; tele: 1.5m - INF
Aperture Range	F1.65 - F3.8 (wide-tele)
PTZ	
Pan Range	360°endless
Pan speed	Configurable, from 0.4-80°/s; Max Preset speed: 80°/s
Tilt Range	From -5° to 90°
Tilt Speed	Configurable, from 0.4°- 80°/s, Max Preset speed: 80°/s
Proportional Zoom	Yes
Preset	360
Cruise	8 cruises, up to 16 presets for each cruises
Track	4 tracks, record time over 3 minutes for each track
Power off memory	Support
Action mode	Preset/Cruise/Track/Auto Scan/Random Scan
3D Positioning	Support
PTZ Position Display	Support
Schedule Task	Preset/Cruise/Track/Auto Scan/Random Scan /Dome reboot
IR	
IR Distance	150m
Smart IR	Yes, support facial priority and CPL priority
Network	
Max Resolution	1920x1080
Main stream	1920x1080 ,1280x720 25/30fps
Sub stream	25fps (1280 × 720, 704 × 576 , 352 × 288); 30fps (1280 × 720, 704 × 480, 352 × 240)
Third Stream	25fps (704 × 576, 480 × 240, 352 × 288) ; 30fps (704 × 480, 480 × 240, 352 × 240)
SVC	Yes
Video compression	Smart H.265/H.264/MJPEG
Protocols	HTTP, HTTPS, Ipv4/Ipv6, 802.Ix, QoS, FTP, SMTP, UPnP, SNMP, DNS, DDNS, NTP, RTSP, RTCP, RTP, TCP/IP, UDP, IGMP, ICMP, DHCP, PPPoE
Simultaneous live view	Up to 6 channels
User / Host	Up to 16 users, 3 levels: Administrator, Advanced User and Normal User
Security Measures	User authentication (ID and PW), Host authentication (MAC address); HTTPS encryption, IEEE802.Ix port-based network access control; IP address filtering
Smart Features	
Basic event	Motion detection, video tampering alarm, exception (network disconnected, IP address conflict, SD full, SD error)
Face detection	Default off, support max15 human faces detection per second, support face comparison
Smart Detection	Intrusion detection, Line crossing detection, Region entrance detection, Region exiting detection, Scene change detection, Support alarm triggering by human or vehicle, filtering flag/animal.
Smart Tracking	Manual Tracking, Auto Tracking (human or vehicle by software setting)

System Integration	
Alarm Interface	None
Audio Interface	None
Alarm Linkage	Alarm actions, such as Preset, Cruise, Track, Memory Card Video Record, Trigger Recording, Notify Surveillance Center, Upload to FTP/Memory Card, Send Email, etc.
Network Interface	1 RJ45 10M/100M Adaptive Ethernet (Support PoE 802.3.at)
CVBS	None
RS 485	None
Storage	SD card slot inside, support microSD/SDHC/SDXC, up to 256G
API	ONVIF, support TVT SDK and third-party management platform
Client	TVT NVR 1.4.5, TVT NVMS 2.0; and the third-party client
Web Browser	IE8-II
General	
Power	DC12V or PoE+ (802.3.at, class 3), (Max 22W, include IR on, Heater on, Fan working)
Working condition	-30°C ~ 55°C (-22°F ~ 131°F), 90%RH less (non-condensing), Cold start at - 20°C
Storage condition	-40°C ~ 65°C ; ? 95% RH
Protection	IP66, 4000V Lightning Protection, Surge Protection and Voltage Transient Protection
Material	Aluminum Alloy; Plastic +Glass Fiber 10%
Dimensions	? 173mm × 247mm ( 6.8 ? × 9.7')
Weight	Approx. 2.1 Kg (13.22 lb.)
Certification	IP66,ROHS,CE,FC
App version	Ver5.01

### DORI Table

It is calculated based on the camera sensor specification and the criteria given by EN 62676-4: 2015.

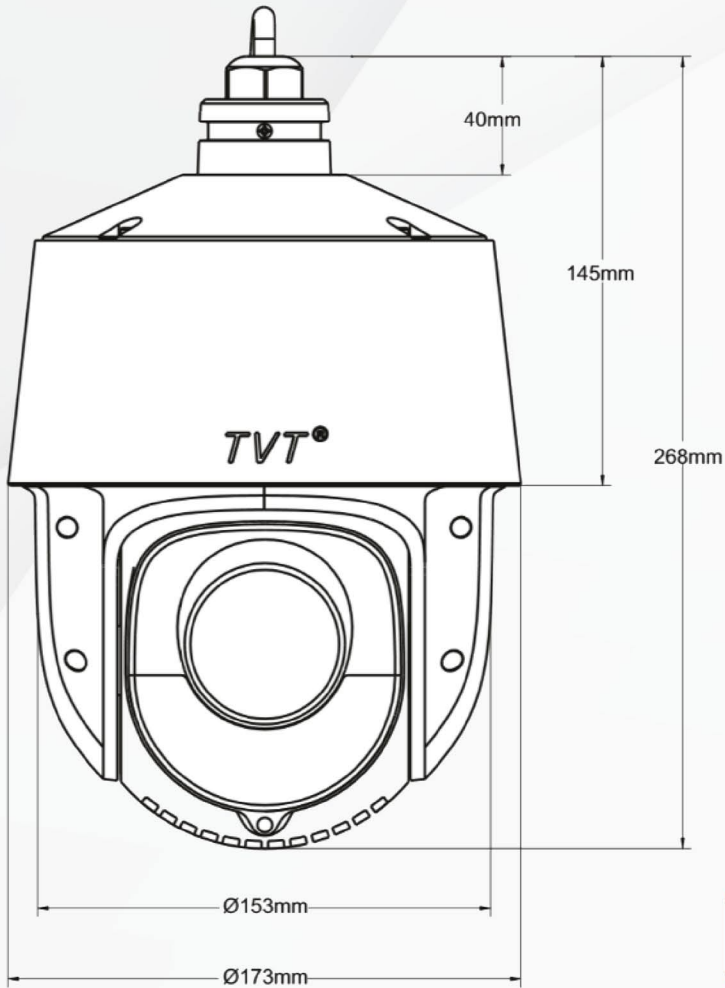
DORI	Detect	Observe	Recognize	Identify
Define	25Pixels /meter	63Pixels/meter	125Pixels/meter	250pixels/meter
Distance	1600m	635m	320m	160m

### Mounting Bracket Options:

*\*Note check availability with our Sales Team as some of the below items may be non-stock items.*

TD-YZJ0808 Wall mount	TD-YZJ0808+YZJ0501 Pole Mount	TD-YZJ0808+YZJ0601 Corner Mount	TD-YZJ0807 Pendant mount	TD-YZJ0701E In-ceiling mount

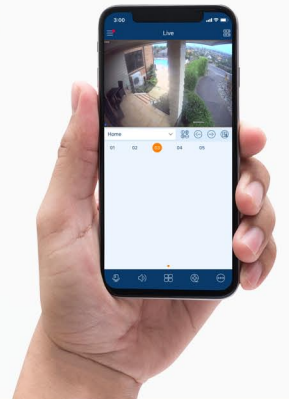
Product Dimensions



Applications

- Wide-range area intrusion
- Perimeter protection & alarm
- Use in carparks
- Use in parks & scenic spots
- Use in public transport hubs  
- train station, bus station etc.
- Use in industrial parks

SuperCam Plus



*Protect what matters most to you*



Proudly Supplied by AAP  
344B Rosedale Road, Albany, 0632  
Auckland, New Zealand  
www.aap.co.nz