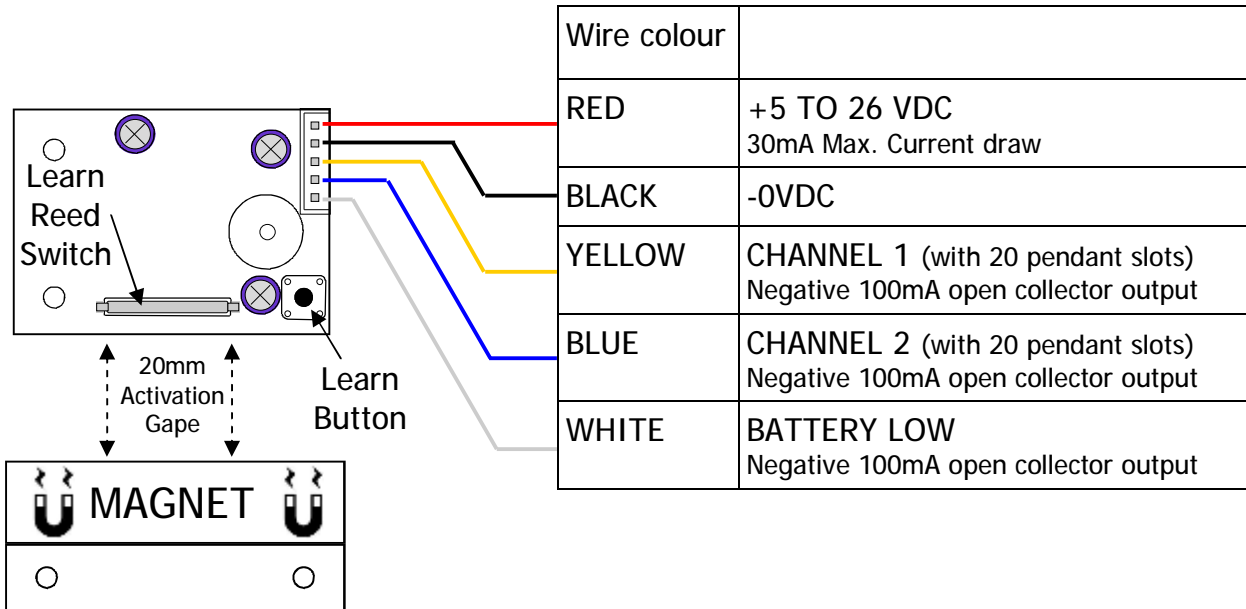


# RX2-MINI-915

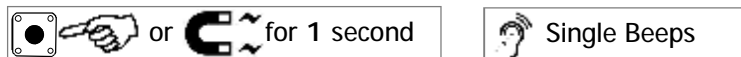
Standalone 2 Channel 915MHz Mini Radio Receiver  
with battery low output and 40 pendant slots  
Compatible with MEDI TX-915-SN only



## Programming:

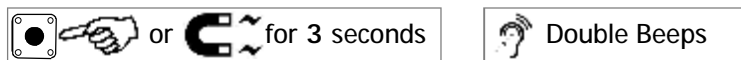
The RX2-MINI-915 has a 3 Stage Programming sequence.

### Stage 1. Channel 1 Learn



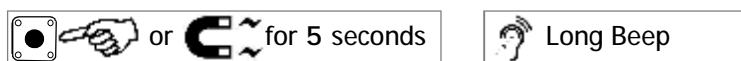
When the beeping starts you have 20 seconds to press the button of the Pendant you wish to learn in. If the Pendant learns in successfully you will hear a triple beep and it will jump out of learn mode. Up to 20 pendants can be learnt into Channel 1 by repeating this process.

### Stage 2. Channel 2 Learn



When the beeping starts you have 20 seconds to press the button of the Pendant you wish to learn in. If the Pendant learns in successfully you will hear a triple beep and it will jump out of learn mode. Up to 20 pendants can be learnt into Channel 2 by repeating this process.

### Stage 3. Clear Memory



This action will remove all Pendant learnt into both channel 1 and 2