

# Outdoor PIR Detector

OPT-HX-40DAM

Passive Infrared & Microwave Detector



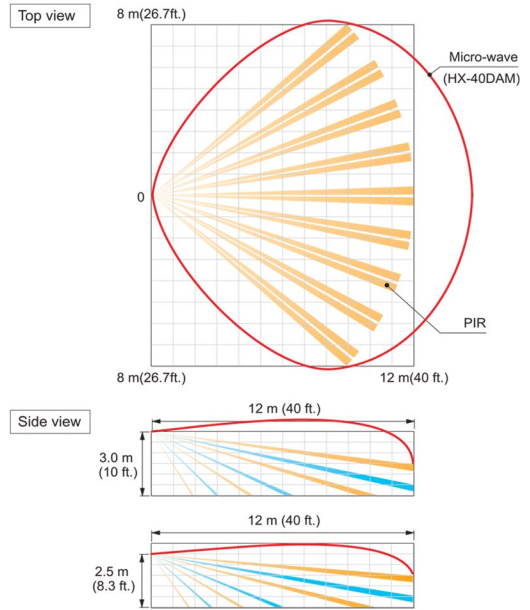
## Features

- Passive infrared & microwave detection
- High-mount multi-purpose detector
- Advanced temperature compensation logic
- Vegetation sway analysis logic
- Double conductive shielding
- Adjustable masking seals

# OPT-HX-40DAM Specifications

Model	HX-40DAM
Detection method	Passive infrared & Microwave
Anti-masking	✓
PIR Coverage	12 m (40') 85° wide / 94 zones
PIR distance limit	4.0 m, 5.5 m, 9.0 m (13'1", 18'1", 29'6")
Detectable speed	0.3 m/s - 1.5 m/s (1'1/s - 4'11"/s)
Sensitivity	2.0°C (3.6°F) at 0.6 m/s
Power input	9.5 - 18 V DC
Operating Voltage	-
Current draw	50 mA (max.) at 12 V DC
Alarm period	2.0 ± 1 sec
Warm-up period	Approx. 60 sec. (LED blinks)
Alarm output	Form C 28 V DC 0.2 A (max.)
Tamper output	N.C. 28 V DC, 0.1 A (max.) N.C. open when cover removed
Trouble output	N.C. 28 V DC, 0.1 A (max.)
Aux input	N.C. 28 V DC, 0.1 A (max.)
LED indicator	Red: Warm-up, Alarm, Trouble Green: Warm-up, PIR detect, Trouble Yellow: Warm-up, MW detect
RF interference	No alarm 10 V/m
Operating temperature	-20 - +60°C (-4 - +140°F)
Environment humidity	95% max.
Weatherproof	IP55
Mounting	Wall
Mounting height	2.5 - 3.0 m (8'2" - 9'10")
Bracket adjust angle	Vertical: ±20° Horizontal: ±95°
Weight	700 g (24.7 oz.)
Accessories	Bracket, Hood, Area masking seal, Screw kit (3 x 10 - 2, 4 x 20 - 4)

## Detection Patterns



## Catch Performance

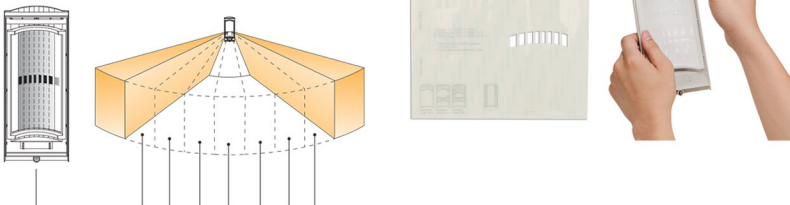
The HX Series features superb Catch Performance. The most important element in reliable outdoor detector is accuracy to distinguish a human from a pet. The exclusive pyro element on board enables the HX to project an ideal detection pattern, thus allowing for more accurate detection of humans and less false alarms.



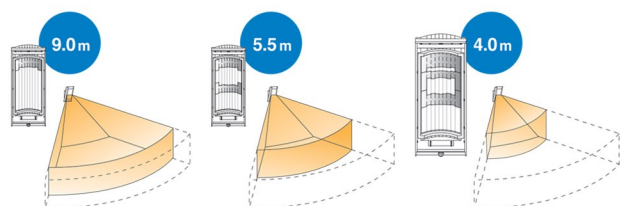
## Adjustability

Outdoor environments are full of false alarm factors like vegetation and reflective surfaces. Pre-survey before installing enables you to find the ways to minimize possible false alarms. The HX detection pattern can easily be adjusted to avoid these possible false alarms by using the included masking strips.

### Masking seal(Horizontal)

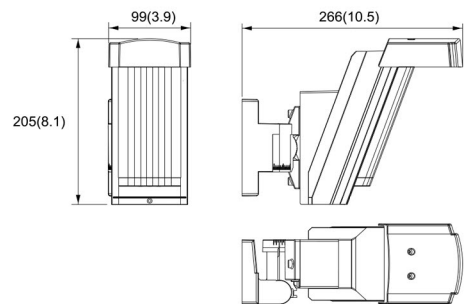


### Masking seal(Detection length)

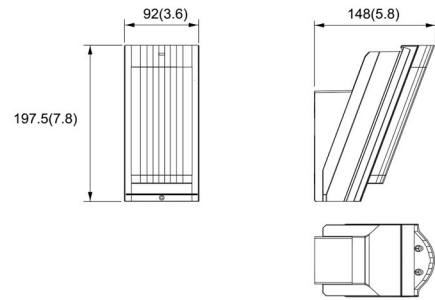


## Dimensions

Using bracket and hood

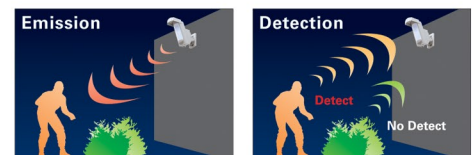


Without bracket and hood



mm(inch)

## Micro-wave Intelligent Quantification logic



The HX-40DAM continuously monitors wave changes and automatically cancels the signal caused by swaying grass.

