

360° Ceiling Mount Detector

OPT-FX-360

Sleek, Compact & Cost Effective Detector

EliteControl 



Features

- 360° Passive infrared detector
- Hard spherical lens
- False alarm protection
- LED indicator (on/off switch)
- 62 Detection zones

Detection with  **OPTEX**

2 Year [Warranty](#)

Features

■ **Originally Designed Hard Spherical Lens**

The FX-360's hard spherical lens is designed with precision—an original feature that enables this detector to provide reliable detection throughout its 360° area.

■ **False Alarm Protection**

The FX-360 prevents false alarms caused by environmental changes or insensitivity to high temperatures.

- RFI Protection
No alarm at 20V/m from 100MHz. to 1GHZ.
- Temperature Protection
No alarm during temperature changes from -20° to +50°C at 1.7°C/min. (-4° to +122°F at 3°F/min.)
- Noise Reduction Circuit
- Selectable Pulse Count: 2,4.

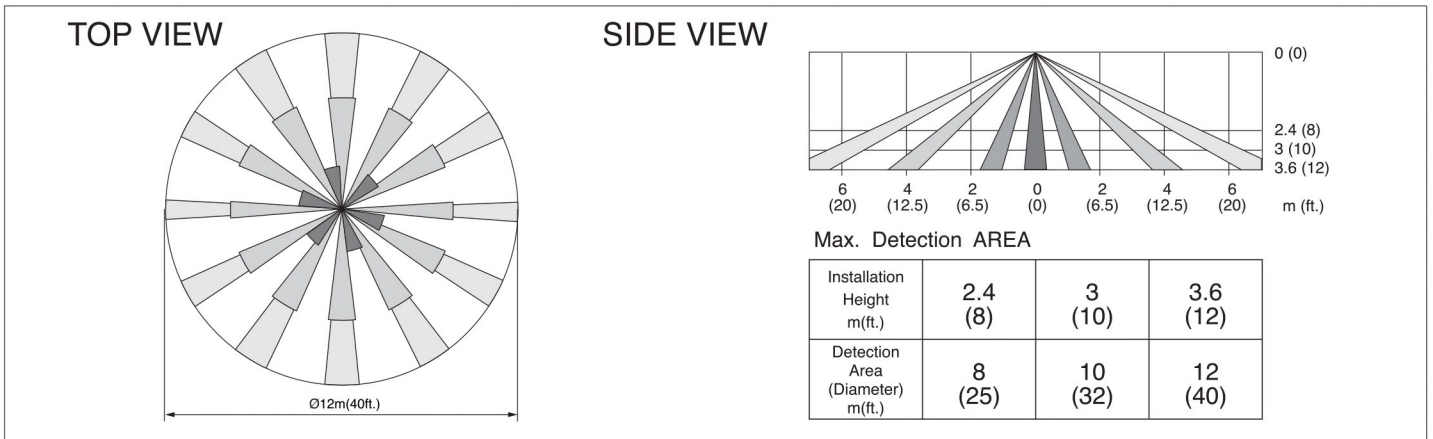
■ **Advanced Quality Control**

- Computerized S.M.D. Technology
Using robotics to mount miniaturized chip components ensures a smooth and uniform production level of high quality.
- Running Test on every circuit board
All circuit boards sustain a "Burn-in" test for many hours.

■ **Other Features**

- LED On/Off Switch
- Warm-up Indicator

Detection Patterns



Specifications

Model	FX-360
Detection method	Passive Infrared
Coverage	Ø8m ~ Ø12m(Ø25ft. ~ Ø40ft.) Height: 2.4m ~ 3.6m(8ft. ~ 12ft.)
Detection zones	62 zones
Sensitivity	1.6°C(3°F) at 0.6m/sec.(2ft./sec.)
Detectable speed	0.3 ~ 1.5m (1 ~ 5ft./sec./sec.)
LED indicator	LED blinks during warm-up period Alarm condition
Alarm period	2.0±0.5sec.
Alarm output	N.C. 28V DC 0.2A max.
Tamper switch	N.C. Opens when cover removed.
Pulse count	20±5sec. 2 or 4
Warm-up period	Approx. 30sec. (LED blinks)
Power input	9.5 ~ 18V DC
Current draw	17mA/(normal) 18mA/(max.)
Weight	140g(4.90oz.)
Operating temperature	-20°C ~ +50°C(-4°F ~ +122°F)
Environment humidity	95% max.
RF interference	No Alarm 20 V/m

※ Specifications and design are subject to change without prior notice.
NOTE: This unit is designed to detect movement and activate an alarm control panel. Being only a part of a complete system, we cannot assume responsibility for theft or damages, should they occur.

Dimensions

