

Outdoor Photoelectric Detector

OPT-AX-200TFR

Battery Operated with up to 60m Detection Range

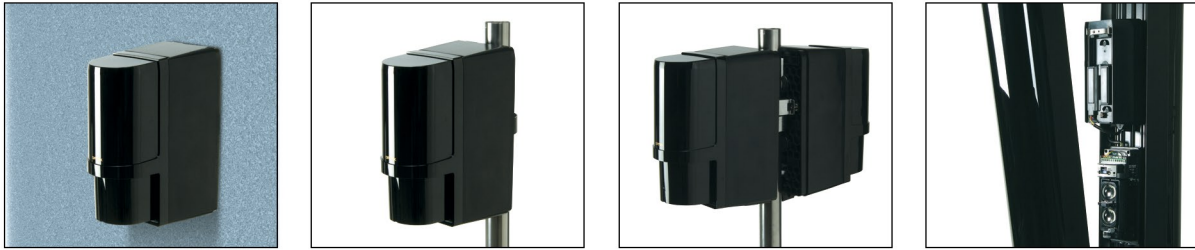


Features

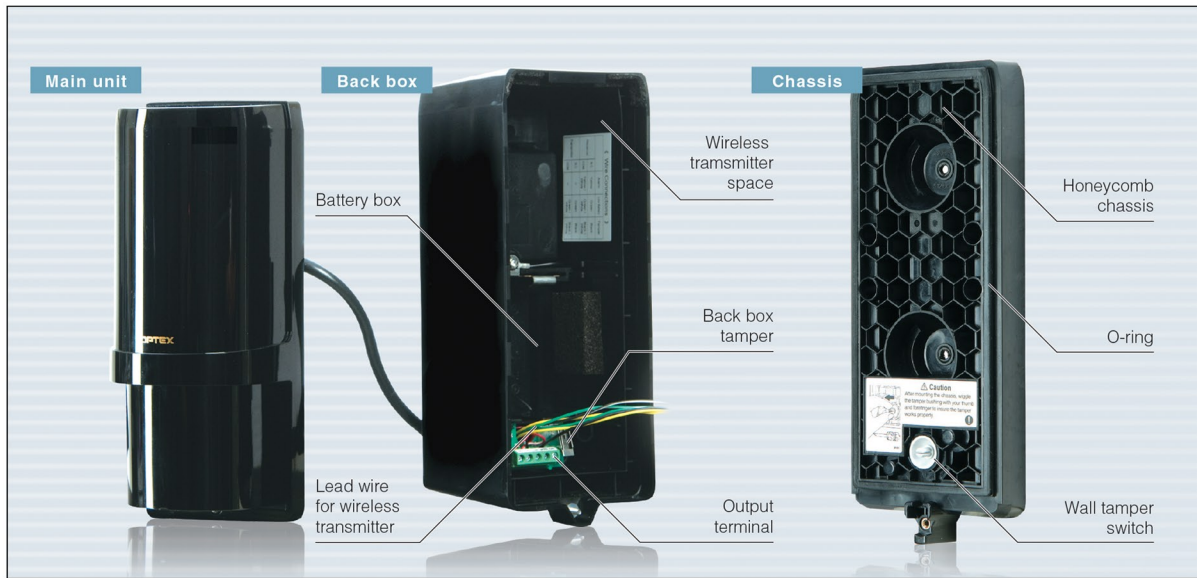
- 60m detection range
- Infrared beam interruption detection
- Up to 5 year battery life
- Low battery output & LED
- Intermittent output function
- Triple tamper function

Long Battery Life Up to 5 Years

Mounting Options

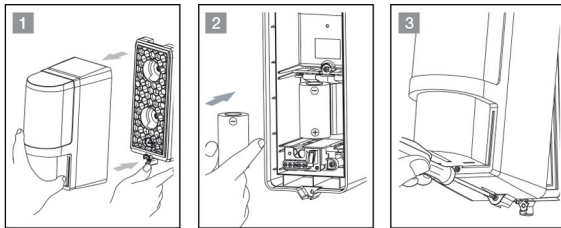


Multi functional back box



Simple Battery Replacement

It allows you to easily replace the batteries without opening the front cover. Not necessary to do the optical alignment.



Triple Tamper Functions

Form C output activates when either cover or back box as well as chassis is removed.



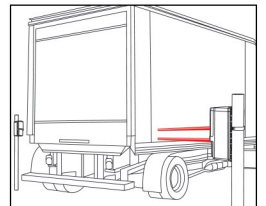
Low Battery Output & LED

The unit automatically outputs when the battery power becomes low. Low battery LED will flicker when a front cover is removed. **To monitor the low battery signal, another wireless transmitter is required.*



Intermittent Output Function

Alarm Signals are sent periodically to avoid missed alarm while the beam is broken. Its function is effective for wireless systems which do not recognize "Restore" status.



Battery Saving Timer

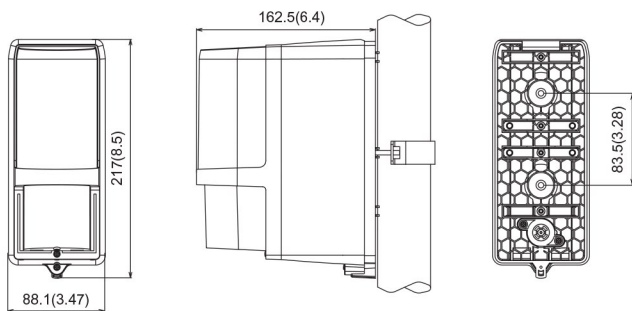
Alarm output activation are limited by a timer to 2 minutes. Even if there are continuous alarm events, the alarm output operates only once in the timer period. It prolongs the battery life of a wireless transmitter

SPECIFICATIONS

Model		AX-200TFR
Range		60m(200ft.)
Maximum arrival distance		530m (1,740ft.)
Detection method		Infrared beam interruption detection
Beam frequency selection		4 channel
Interruption period		Variable between 50, 100, 250, 500msec (4 steps)
Power Source		3.6V 13.0Ah : LSH20 lithium batteries manufactured by SAFT(not included) Transmitter : 2 units Receiver : 2 units
Current draw		810 μ A T:490 μ A + R:320 μ A (at 25°C,3.6VDC)
*Battery life	Transmitter	3 years
	Receiver	5 years
Output	Alarm output	Form C-Solid State Switch : 3.6 VDC, 0.01A
	Alarm period	2 sec (\pm 1) nominal
	D.Q. output	Form A/B-Solid State Switch : 3.6 VDC, 0.01A
	Low battery output	Form A/B-Solid State Switch : 3.6 VDC, 0.01A (Transmitter & Receiver)
	Tamper output for Front cover	Form C : 3.6VDC, 0.01A activates when cover removed. (Receiver only)
	Tamper output for Back box	Form C : 3.6VDC, 0.01A activates when either back box or chassis is removed from the install.
Indicator	Alarm Indicator (Receiver)	(1) Light on - IR Beam not received. (2) Flickering Light - IR Beams not received sufficiently. (3) Light off - IR Beams received.
	Power (Transmitter)	Power ON : ON, Power OFF : OFF
	Low battery	Voltage Reduction : flicker
Operating temperature		-20°C – +60°C(-4°F – +140°F)
Operating ambient humidity		95%(Max.)
Alignment angle		\pm 90° Horizontal, \pm 5° Vertical
Mounting		Indoor/Outdoor, Wall/Pole/Tower mounting (Optional main unit mounting brackets are required, when the units mount in the tower.)
Weight		1600g (56.5oz) (Total weight of transmitter + receiver,excluding accessories)
International protection		IP55

Specifications and design are subject to change without prior notice.
* The value is based on the condition that it is used within the ambient temperature range of 20 to 25°C.

DIMENSIONS

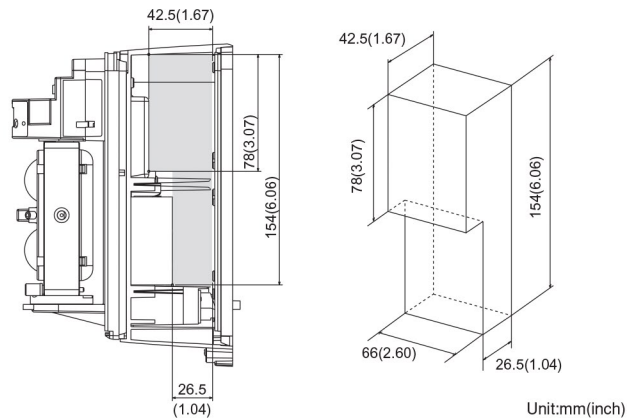


The pole size should be ϕ 43-48mm(ϕ 1.69"-1.98")

Unit:mm(inch)

SPACIOUS BACK BOX

The following figure shows the dimensions of the wireless transmitter installation space in the back box. Note that transmitters with dimensions greater than those are not applicable.

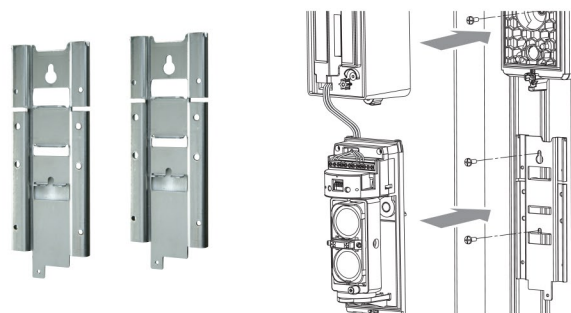


Unit:mm(inch)

OPTIONS

MP-4 : Main unit mounting bracket set (for tower mounting)

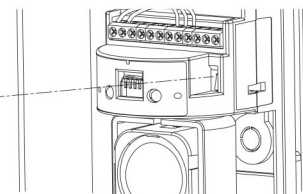
Main unit mounting bracket



Tamper Busing



Without the tamper busing, the LEDs are kept ON, which consumes more battery power.



NOTE:

These units are designed to detect an intruder and activate an alarm control panel. Being only a part of a complete system, we cannot accept responsibility for any damages or other consequences resulting from an intrusion. These products conform to the EMC Directive 2004/108/EC.



Proudly Supplied by Arrowhead Alarm Products

1A Emirali Road, Silverdale, 0932, Auckland, New Zealand

www.aap.co.nz