

GK310-1224

12/24V Electric Strike Lock



Features

- 12/24V DC
- Stainless Steel Face Plate
- Changeable Fail Safe/Fail Secure
- Long Life Solenoid

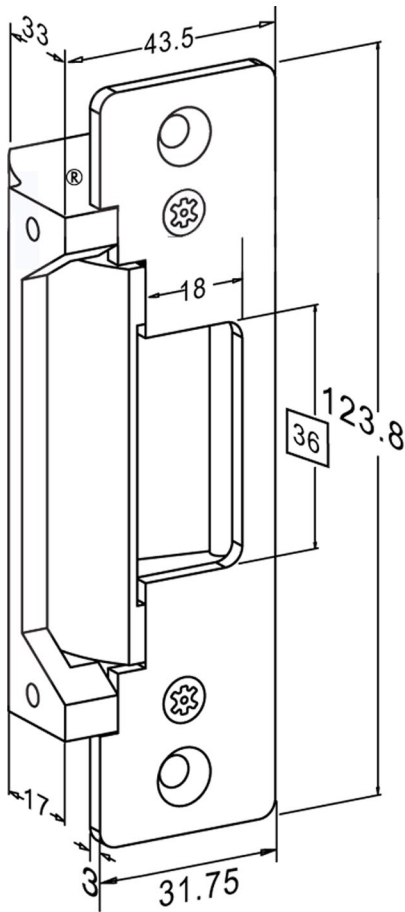
GK310-1224 Specifications

GK310-1224



Specifications:	
Operating Voltage	12 or 24V/DC
Current Draw	0.25A @ 12V/DC / 0.15A @ 24V/DC
Operating Temperature	-10°C-45°C
Humidity	0-95% Non-condensing
Material	Stainless Steel Faceplate, Aluminum Alloy Case
Mechanical Life	1,000,000 Cycles
Net Weight	243g
Optional Lip Extension Bracket	Available on Request

Dimensions



Fail Safe or Fail Secure Operation

