

FSHR40PCV-12 & FSHR40PCV-24

25Kg Door Holder, Floor Mount

EliteControl 
www.aap.co.nz



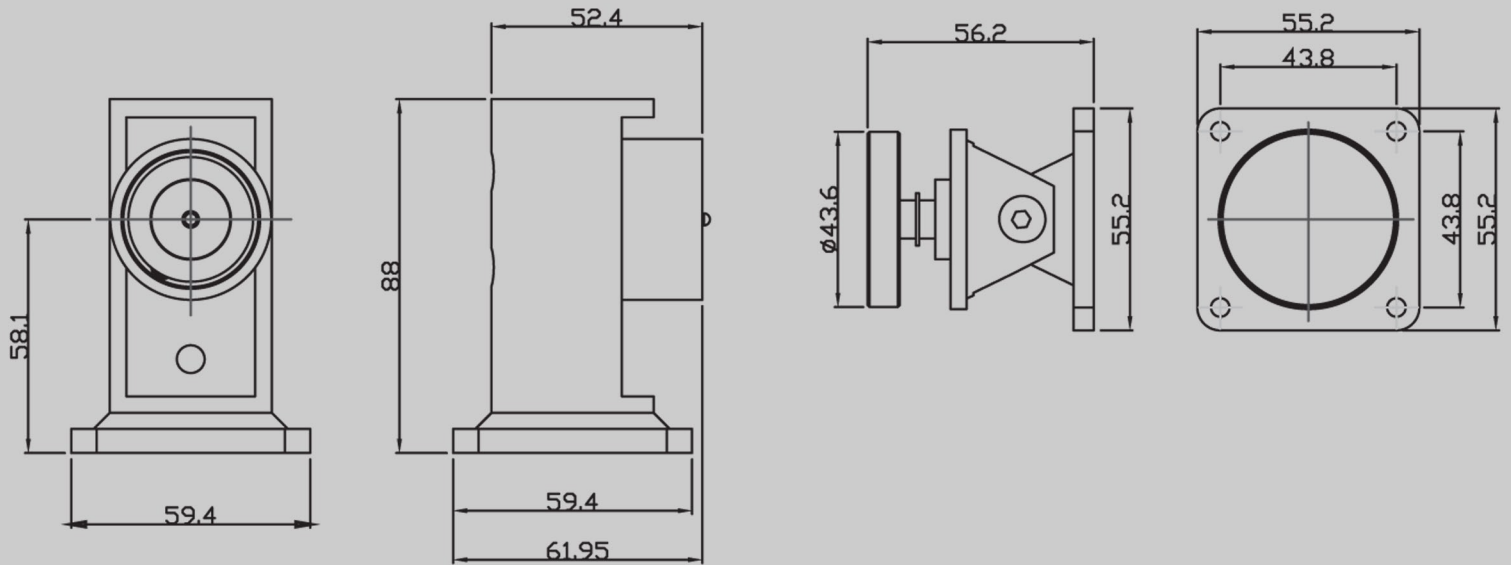
Features

- Fire Rated
- Up to 25kg Holding Force
- 12 & 24V DC Options
- Fail Safe Operation

FSHR40PCV-12 & FSHR40PCV-24



Product Dimensions & Installation



Product Specifications

PART NO.	R40PCV12(12Volt)	R40PCV24(24Volt)
FUNCTION	Floor mount electro magnetic door holder for fire and smoke door	
HOLDING STRENGTH	Up to 25kg	
VOLTAGE/CURRENT	12VDC/160mA 24VDC/80mA	
SIZE	D= 62 x W= 59 x H= 88mm	