

Mounting Plates

EC-SCC PLATE & EC-SCC BATT

infinity series
powered by EliteControl



Purpose built mounting plates
for EC expander modules, 12V 3A
& 12V 7.5A SLA batteries

Mounts directly into standard
structured cabling cabinets. Each
EC-SCC PLATE supports up to 2 x EC
expander modules

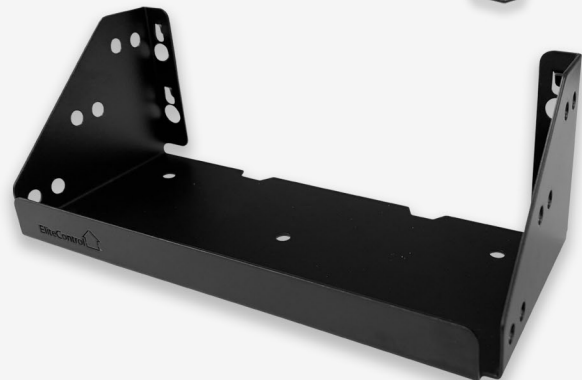
EC-SCC PLATE - Features

- EliteControl Custom design
- Supports up to 2 x EC expander modules
- Includes 4 x press fit mounting pins



EC-SCC BATT - Features

- Supports 12V 3A or 12V 7.5A SLA batteries
- Includes 4 x press fit mounting pins
- Multiple cable tie locations to secure battery & wiring looms



Compatible products

EC-SCC PLATE	EC-Z8	EC-O4	EC-A2		
EC-SCC BATT	DM12-3	DM12-7.5	EC-Z8	EC-O4	EC-A2

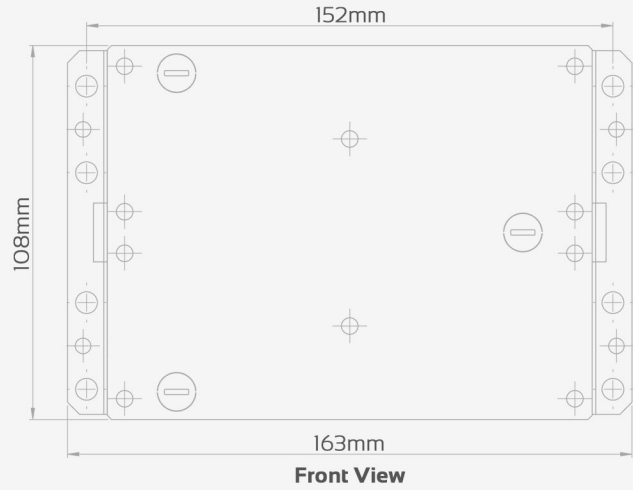
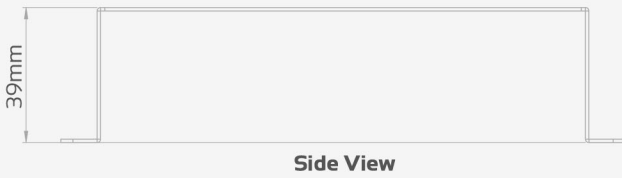
Dimensions

EC-SCC PLATE & EC-SCC BATT

infinity series
powered by EliteControl

EC-SCC PLATE

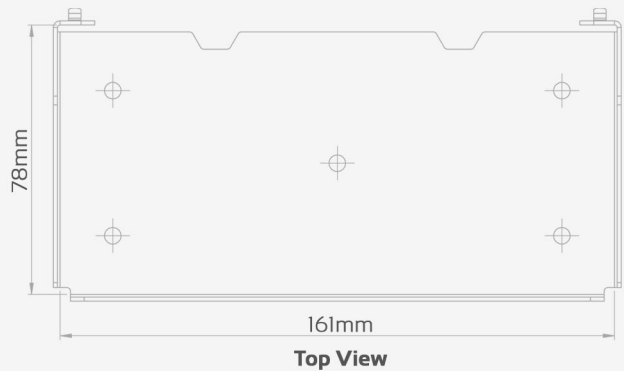
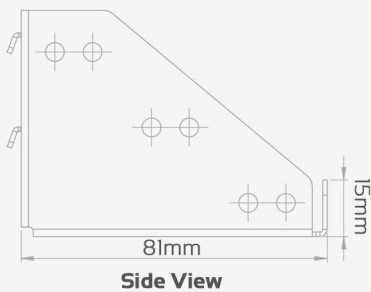
Mounting plate for installing up to 2 x EC expander modules into data or structured cabling cabinets



EC-SCC BATT

Allows SLA batteries to be mounted directly below back up power supplies inside data or structured cabling cabinets

Ideal for use underneath control panels or EC expanders fitted with plug in EC-PSU power supplies



EliteControl

infinity series
powered by EliteControl

Designed & manufactured by AAP Ltd
344B Rosedale Rd, Albany O632
Auckland, New Zealand
www.aap.co.nz