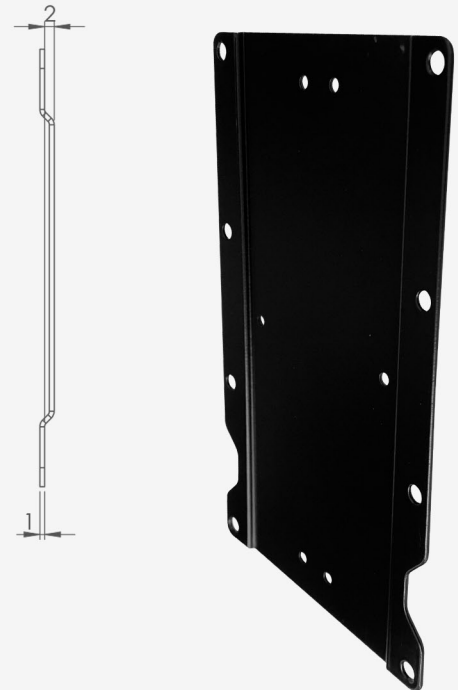
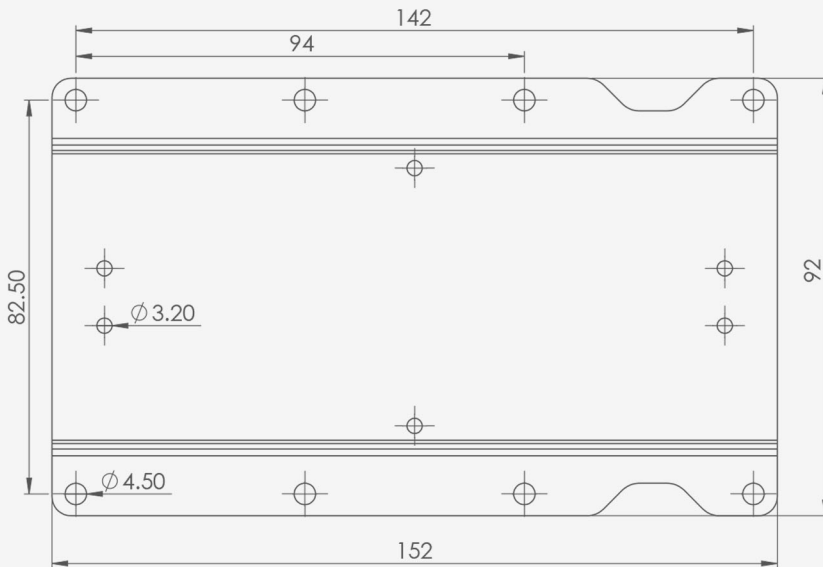


Legacy Mounting Plate

EC-SCC ADAPTER

Custom mounting plate for adapting legacy products directly onto EC-SCC PLATE or structured cabling cabinets

Supports ESX, ESL-2, WIEGAND-IF2, ESX-Z8 & ESX-O4. Includes 4 x 4mm standoffs, 4 x mounting rivets & 4 x mounting screws



Compatible products

ESX | ESL-2 | ESX-O4 | ESX-Z8 | WIEGAND-IF2

5 Year Warranty

EliteControl

Designed & manufactured by AAP Ltd
344B Rosedale Rd, Albany O632
Auckland, New Zealand
www.aap.co.nz