

# Dual Swing Gate Kit

B-BOB3024E.P-BK

24V/DC Electromechanical Geared Motor for Intensive Use

**BENINCA**<sup>®</sup>  
TECHNOLOGY TO OPEN

Kit includes:

- 2 x B-BOB3024E-BK 24V actuator
- 1 x B-BRAINY24 controller
- 1 x B-PUPILLA.T driveway safety beam
- 2 x B-TO.GO2VA 2 button remote



 **MADE IN ITALY**

Features

- Built-in encoder
- Precise & safe gate moving phases
- Amperometric sensor obstacle detection system
- Reliable, quiet, and quick to install geared motor
- Easy access release
- Rolled ball screws Ø 20mm

Quality Italian Made Gate Automation

2 Year **Warranty**

# Actuator Specifications

B-BOB3024E.P-BK

**BENINCA**<sup>®</sup>  
TECHNOLOGY TO OPEN

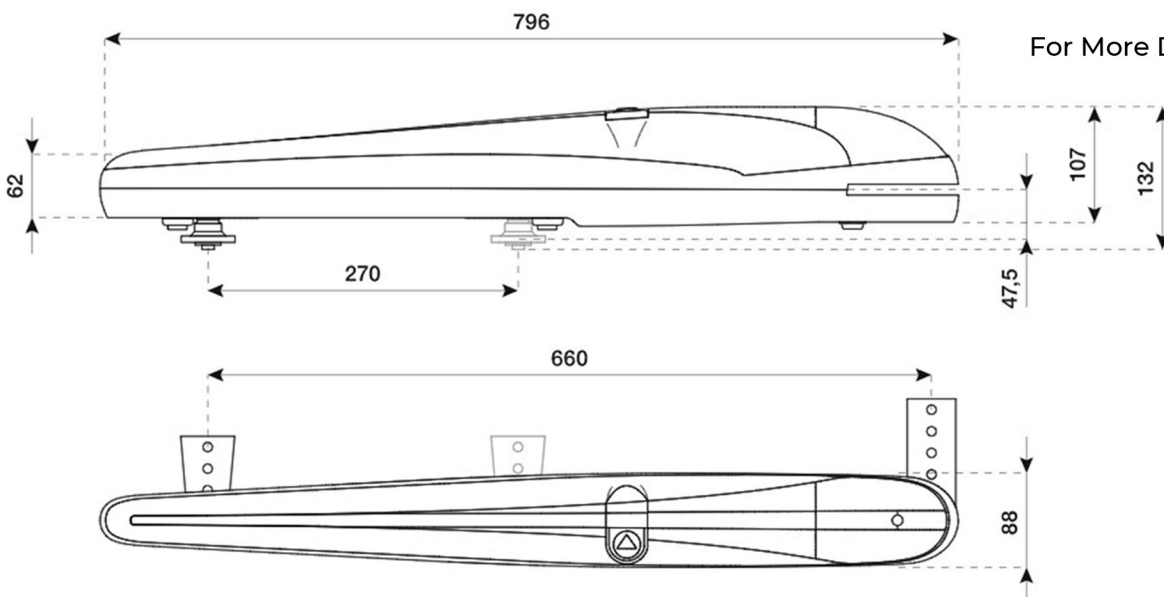
Power supply	230 Vac (50-60Hz)
Motor supply	24 Vdc
Max absorbed current	5.5 A
Maximum thrust	1800 N
Opening time	9" ÷ 21"
Standard stroke	270 mm
Max stroke	325 mm
Duty cycle	intensive use
Protection level	IP44
Encoder	✓
Operating temperature	-20°C /+50°C
Lubrication	GREASE
Leaf max dimension	3.0 m
Weight	8.0 kg
Kit weight	20.7 kg



Control Panel  
• B-BRAINY24



## Dimensions



For More Details

Scan Here

