



1CH Standalone receiver for connecting AAP-SMOKE & AAP-HEAT detectors to alarm & other control panels - 433MHz



Specifications

Voltage	12VDC
Channels	1CH
Operating Current	8mA
Frequency	433MHz
Sensitivity	-103dBm
Relay Type	Clean Contact
Switching Options	Momentary (no jumpers fitted)
Relay	7A
Enclosure	Indoor Use Only
Dimensions	44 x 37 x 20mm

Function

The 'AAP-RECEIVER' connects the 'AAP-SMOKE', 'AAP-HEAT' & 'AAP-REMOTE' to a zone input on almost any alarm system.

This allows your 'AAP' interconnected fire detection system to integrate with your alarm, including push notifications to your smartphone in the event of an emergency.

See wiring & programming below for more information.

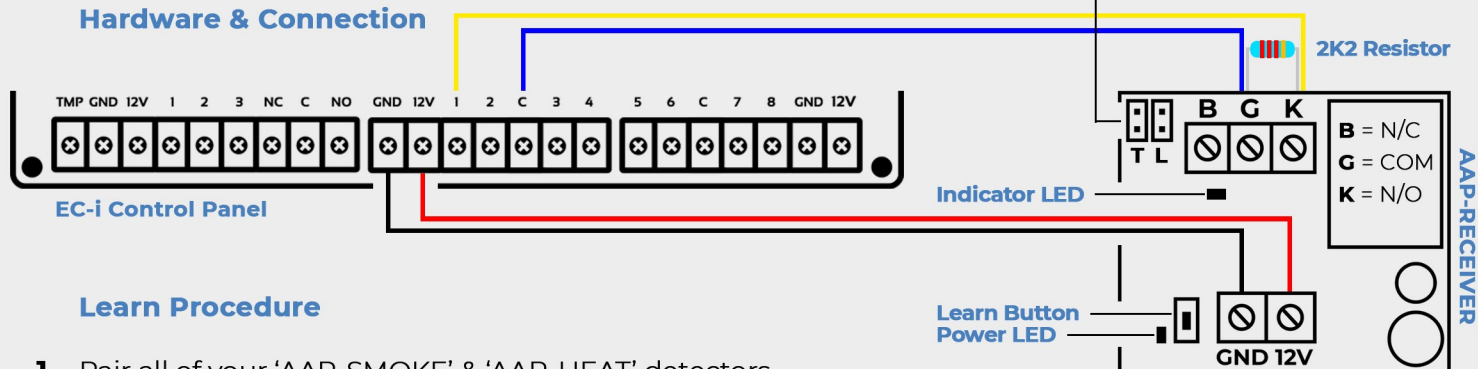
'EC', 'EC-i' & ESL Programming

The control panel input in which the AAP-RECEIVER is wired into needs to be set as a '24Hr Fire Input'. This is programmed within Installer programming at **address P123 by turning option 5 ON** (see control panel manual for more information).

Relay Operation

The AAP-RECEIVER **must be set to 'Momentary Mode'** to operate correctly with the 'EC' or 'EC-i' control panels. This is set by removing both the **'T' & 'L' Jumpers**

Hardware & Connection



Learn Procedure

1. Pair all of your 'AAP-SMOKE' & 'AAP-HEAT' detectors together as detailed in their respective product manuals.
2. Set the 'AAP-RECEIVER' to learn mode by pressing and holding the 'Learn Button' until the 'Indicator LED' begins to flash, then release (the receiver will now be in learn mode for roughly 5 seconds before returning to normal operating mode).
3. While the 'AAP-RECEIVER' is in learn mode, press the 'Hush/Test' button on any of the interconnected 'AAP-SMOKE' or AAP-HEAT' detectors and the 'Indicator LED' should stop flashing to indicate a successful learn.

Clearing/Resetting the AAP-RECEIVER

1. To clear the 'AAP-RECEIVER' memory, press & hold the 'Learn Button' until the 'Indicator LED' turns off.