

## 25X 8MP 150m IR Network Smart



TD-8483IS2N (PE/25M/AR15)

TD-8483IS3N (PE/25M/AR15)

8MP	H.265	VCA	Smart tracking
Perimeter	PoE+	IP66	150m

## System

TD-8483IS2N(PE/25M/AR15) & TD-8483IS3N(PE/25M/AR15) PTZ which adopt SONY latest 4K images sensor, with high quality 25x optical zoom lens, could deliver top-notch 3840x2160@30fps image details over a wide open area. H.265 video compression reduces bit rate down to 50% of H.264 without loss. With its built-in 1.5Tops AI engine, the PTZ camera could detect and classify max 15 objects per scene. When any of them intrude restricted area, the PTZ camera will trace, zoom fit in center of screen, snap and record and trigger alert. The gimbal rotation speed is improved for tracing fast object. The IR brightness is enhanced 200%, which improves night vision distance above 150m. This PTZ conforms to the ONVIF specifications ensuring interoperability between network video products regardless of manufacturers, and also complies with NDAA 2019. TD-8483IS2N&TD-8483IS3N PTZ have enhanced body material, built-in turbo fan and heater for 7/24H work in outdoor weather, This series has also added alarm and audio interface, etc. TD-8483IS3N is a minor improved version comparing TD-8483IS2N, it has true IK10 certification including lens cover, and adapt the latest components and thus available in longer supply period. With excellent picture quality and good protection, the PTZ could meet the demand of small size of surveillance application. Comparing

## Key Spec:

- 1/2.8" SONY progressive scan CMOS
- Up to 3840x2160 resolution
- Mini illumination:
  - Color: 0.01 lux @ (F1.65 AGC ON)
  - 0 Lux with IR
- 25x optical zoom, 16x digital zoom
- HDR, 3D DNR, Smart IR 150m
- Smart H.265/H.264+/H.264
- Intelligent Video content analytics
- Smart tracking of human/vehicle
- Smart detection and perimeter protection
- ONVIF, API and SDK
- PoE+ and DC12V
- IP66,-40 °C~60 °C, ADC12 & PC/GF

## Application:

Wide range area intrusion, perimeter protection and alarm, such as parks, scenic spots, stations and venues, industrial park.

## SPECIFICATION:

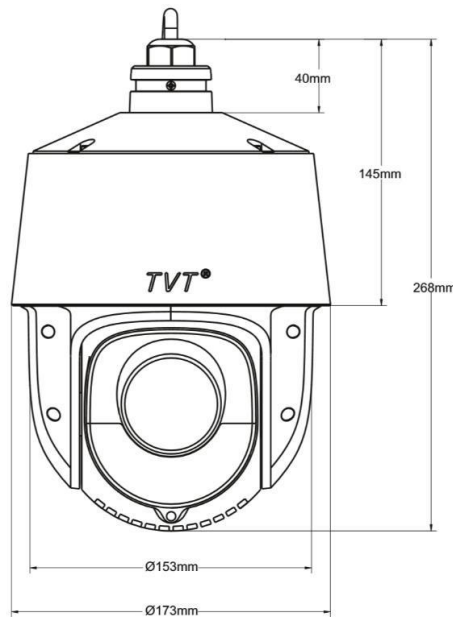
Camera Module					
Image sensor	1/2.8"SONY latest progressive scan CMOS				
Max resolution	3840x2160				
Mini. Illumination	Color: 0.01Lux @ (F1.65, AGC ON); B/W: 0.002Lux @ (F1.65, AGC ON); 0Lux with IR				
Image setting	Flip, Mirror, Saturation, Brightness, Contrast, Sharpness, AGC, etc. adjusted by client				
Shutter Speed	50Hz: 1/25 s~1/25,000s, 60Hz: 1/30s~1/30,000s				
White Balance	Auto/Manual/Indoor/Outdoor				
Gain control	Auto/Manual				
Day & Night control	Auto/Manual ,time schedule				
Iris control	Auto/Manual				
SNR	≥52dB				
3D DNR	Auto/Manual				
AE Enhancement	BLC, HLC, WDR				
Privacy Mask	4 areas, up to 8 mask per request				
Picture overlay	Logo picture could be overlaid on video with 128x128pixels,24bits BMP format				
OSD overlay	max 15 characters/line, 8 lines, white or red font color				
Lens					
Focus length	f=4.8-120mm lens,25x optical zoom				
Zoom Speed	Approx. 3.6s (optical zoom, wide-tele)				
Field of View	Horizontal: 57.6 °~2.4 °; Vertical: 33.4 °~ 1.4 °; Diagonal: 64.5 °~ 2.9 °(wide-tele) ±5%				
Working distance	Wide: 1.0m ~ INF; tele: 1.5m ~ INF				
Iris Range	F1.65 ~ F3.8 (wide-tele)				
IRCut type	Removable IRCUT filter				
DORI distance	Focus length	detect(25px/m)	Observe(63px/m)	Recognize(125px/m)	Identify(250px/m)
	f=4.8mm	138.2m	54.84m	27.64m	13.82m
	f=120mm	3034m	1297m	606.9m	303.4m
PTZ					
Pan Range	360 °endless				
Pan speed	Configurable, from 0.1~200 %s; Preset speed: 240 %s				
Tilt Range	From -10 °to 90 °,auto flip				
Tilt Speed	Configurable, from 0.1 % 200 %s, Preset speed: 240 %s				
Proportional Zoom	Yes				
Preset	360				
Cruise	8 cruises, up to 16 presets for each cruises				
Trace	4 traces, record time over 3 minutes for each trace				
Power off memory	Support				
Action mode	Preset/Cruise/Trace/Auto Scan/Random Scan				
3D Positioning	Support				
PTZ Position Display	Support				
Schedule Task	Preset/Cruise/Trace/Random Scan/Boundary Scanning /Dome reboot				
IR					
IR Distance	150m (492 f.t.) ,dual stack IR LED array, 6pcs into 3groups				
Smart IR	Yes				
Network					
Main stream	50Hz: 3840 × 2160,2560 × 1440,1920 × 1080,1280 × 960,1280 × 720 @25fps 60Hz: 3840 × 2160,2560 × 1440,1920 × 1080,1280 × 960,1280 × 720 @30fps				
Sub stream	50Hz: (704 × 576, 640 × 480, 352 × 288) @25fps; 60Hz: (704 × 480, 640 × 480, 352 × 240) @30fps				
Third Stream	50Hz:(1920 × 1080, 1280 × 960, 1280 × 720, 704 × 576, 640 × 480, 352 × 288) @25fps 60Hz:(1920 × 1080, 1280 × 960, 1280 × 720, 704 × 480, 640 × 480, 352 × 240) @30fps				
Video compression	H.265+/H.265/H.264+/H.264/MJPEG				
H.264 Standard	H.264/AVC codec BP/MP/HP, Level 5.1				
H.265 Standard	H.265/HEVC codec MP, level 5.0				

Video Bit Rate	64 Kbps to 16Mbps	
Audio compression	G.711 A/U	
Audio Bit Rate	64K bps	
Protocols	HTTP, HTTPS, IPv4/IPv6, 802.1x, QoS, FTP, SMTP, UPnP, SNMP,DNS, DDNS, NTP, RTSP, RTCP, RTP, TCP/IP, UDP, DHCP, PPPoE	
User / Host	Up to 16 users, 3 levels: Administrator, Advanced User and Normal User	
Security Measures	User authentication (ID and PW), Host authentication (MAC address); HTTPS encryption, IEEE802.1x port-based network access control; IP address filtering	
<b>Smart Features</b>		
Basic event	Motion detection, Video tampering alarm, Exception(Network disconnected, IP address conflict, SD full, SD error)	
Face recognize	Detecting max 15-17 faces at same scene. Detecting. Default off: recognition, and comparing	
Road traffic	Vehicle detecting and tracking	
Smart Detection	Tripwire, Bi-directional tripwire, Illegal intrusion detection, Region entrance detection, Region exiting detection, etc. More VCA per request.	
Smart Tracking	Smart tracking of human or vehicle, auto/manual	
<b>System Integration</b>		
Alarm Interface	1 Alarm input(Dry contact); 1 Alarm output	
Audio Interface	1 audio input(MIC in); 1 audio output, line level, impedance,600Ω	
Alarm Linkage	Alarm actions, such as Preset, Cruise, Track, Memory Card Video Record, Trigger Recording, Notify Surveillance Center, Upload to FTP/Memory Card, Send Email, etc.	
Network Interface	1 RJ45 10M/100M Adaptive Ethernet ,Support PoE+	
SD Card Slot	One Micro SD slot, up to 256G	
RS 485	N/A	
BNC	N/A	
Speaker	N/A	
Reset button	Yes	
Heater	Yes	
Fan	Yes	
Water removal	Remove water-drops by quick spinning	
API	ONVIF, support TVT SDK and third-party management platform	
Client	TVT N9000 1.4.5, TVT NVMS 2.0; and the third-party client, free iOS/Android APP	
Web Browser	IE8-11,Safari,Chrome	
<b>General</b>	<b>TD-8483IS2N(PE/25M/AR15)</b>	<b>TD-8483IS3N(PE/25M/AR15)</b>
Languages	Czech; English, German ; Hungarian ; Italian ; Japanese ; Korean ; Portuguese, Polish; Russian, Romanian, Spanish; Spanish(Mexico); Simplified Chinese; Turkish; Traditional Chinese.	
Power Supply	DC12V ±25%,3000mA , PoE+ (802.3.at,class 3), max 24W include IR ON+PTZ working	
Working condition	-40 ℃ ~ 60 ℃ (-40 ℉ ~ 140 ℉), Cold start at - 30 ℃(0.5Hour waiting); 90%RH	
Storage condition	-40 ℃ ~ 70℃ ; ≤ 95% RH	
Protection	IP66, 6000V Lightning Protection, Surge Protection and Voltage Transient Protection	
Material	Aluminum Alloy + Polymer ( Plastic with glass fiber 15%)	
Dimensions	Φ 173mm × 268mm ( 6.8 inch Φ × 10.55 inch)	
Weight	Approx. 2.1 Kg (4.63 lb.)	
Certification	IP66,IK10(excluding glass window),ROHS,CE,FC	IP66,IK10 (including glass window),ROHS,CE,FC

## Ordering information

TD-8483IS2N (PE/25M/AR15)	8MP 25X Starlight IR 150m Network 4-inch Gen2 Smart PTZ Camera, IP66, -40℃~60℃, DC12V/PoE+, not include power adaptor and bracket
TD-8483IS3N (PE/25M/AR15)	8MP 25X Starlight IR 150m Network 4-inch Gen3 Smart PTZ Camera, IP66, -40℃~60℃, DC12V/PoE+, not include power adaptor and bracket

## Dimensions:



## Accessories(optional):



TD-YZJ0808  
Wall mounting bracket



TD-YZJ0808+TD-YZJ0501  
Pole mounting bracket



TD-YZJ0808+TD-YZJ0601  
Corner mounting bracket



TD-YZJ0807  
Pendant mounting bracket



TD-YZJ0311  
Wall mounting bracket  
with junction box



TD-YZJ0312  
Pole mounting bracket  
with junction box



TD-YZJ0313  
Corner mounting bracket  
with junction box



TD-YZJ0701E  
In-ceiling mounting bracket



DC12V 3A  
Power adaptor



TD-B901 (UL/CE/FCC/BIS)  
PoE+(30W) Midspan



TD-K23  
PTZ Keyboard

\* All pictures and texts are for reference only. Actual product may vary due to product enhancement.

Shenzhen TVT Digital TECHNOLOGY CO.,LTD

Address: 23rd Floor, Block B4, Building No.9,Shenzhen Bay, Eco-Technology Park, Nanshan District, Shenzhen, Guangdong Province, P.R.China

Tel: +86-755-36995888

Web site: <http://en.tvt.net.cn>

Fax: +86-755-33104777

E-mail: [overseas@tvt.net.cn](mailto:overseas@tvt.net.cn)